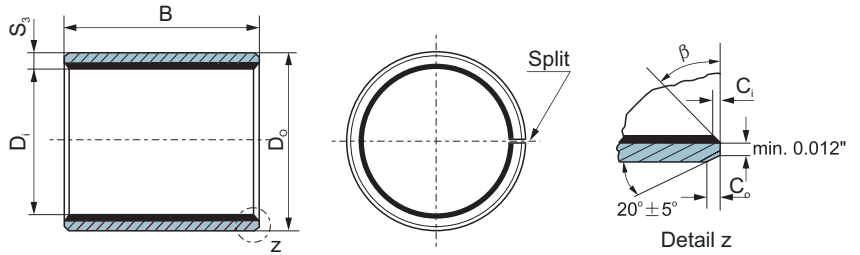


CSB-50 Inch Cylindrical Bushes



ID and OD chamfers

S_3	C_o	C_i	β	S_3	C_o	C_i	β
0.0315	0.008-0.030	0.002-0.018	$30^\circ \pm 5^\circ$	0.0787	0.030-0.060	0.008-0.032	$30^\circ \pm 5^\circ$
0.0472	0.012-0.035	0.006-0.022	$30^\circ \pm 5^\circ$	0.0945	0.050-0.095	0.020-0.043	$45^\circ \pm 5^\circ$
0.0630	0.015-0.040	0.008-0.032	$30^\circ \pm 5^\circ$				

Unit: inch"

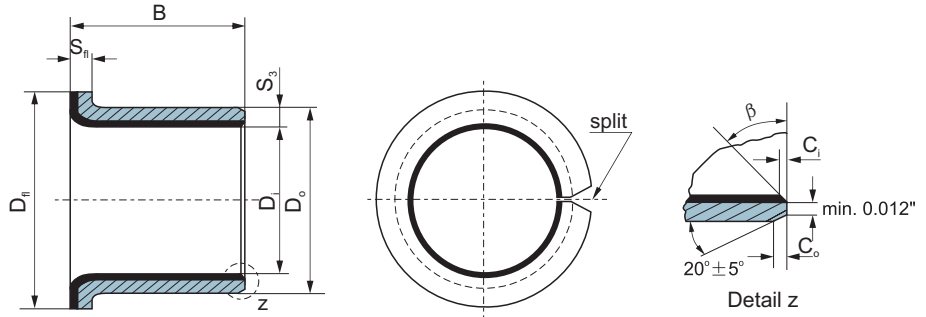
Shaft D_s	Housing H7 D_H	ID after fixed $D_{i,a}$	Clearance C_D	Length ± 0.010					
				CSB-50	CSB-50				
0.1243 0.1236	0.1878 0.1873	0.1268 0.1243	0.0032 0.0000	CSB-50 02IB02	CSB-50 02IB03				
0.1554 0.1547	0.2191 0.2186	0.1581 0.1556	0.0034 0.0002	CSB-50 025IB025	CSB-50 025IB04				
0.1865 0.1858	0.2503 0.2497	0.1893 0.1867	0.0035 0.0002	CSB-50 03IB03	CSB-50 03IB04	CSB-50 03IB06			
0.2490 0.2481	0.3128 0.3122	0.2518 0.2492	0.0037 0.0002	CSB-50 04IB04	CSB-50 04IB06				
0.3115 0.3106	0.3753 0.3747	0.3143 0.3117		CSB-50 05IB06	CSB-50 05IB08				
0.3740 0.3731	0.4691 0.4684	0.3769 0.3742	0.0038 0.0002	CSB-50 06IB03	CSB-50 06IB04	CSB-50 06IB06	CSB-50 06IB08	CSB-50 06IB10	CSB-50 06IB12
0.4365 0.4355	0.5316 0.5309	0.4394 0.4367	0.0039 0.0002	CSB-50 07IB08	CSB-50 07IB12				
0.4990 0.4980	0.5941 0.5934	0.5019 0.4992		CSB-50 08IB04	CSB-50 08IB06	CSB-50 08IB08	CSB-50 08IB10	CSB-50 08IB12	CSB-50 08IB14
0.5615 0.5605	0.6566 0.6559	0.5644 0.5617	0.0040 0.0002	CSB-50 09IB06	CSB-50 09IB08	CSB-50 09IB10	CSB-50 09IB12		
0.6240 0.6230	0.7192 0.7184	0.6270 0.6242		CSB-50 10IB04	CSB-50 10IB08	CSB-50 10IB10	CSB-50 10IB12	CSB-50 10IB14	CSB-50 10IB16
0.6865 0.6855	0.7817 0.7809	0.6895 0.6867	0.0046 0.0002	CSB-50 11IB14					
0.7491 0.7479	0.8755 0.8747	0.7525 0.7493		CSB-50 12IB04	CSB-50 12IB06	CSB-50 12IB08	CSB-50 12IB10	CSB-50 12IB12	CSB-50 12IB16
0.8116 0.8104	0.9380 0.9372	0.8150 0.8118	0.0052 0.0002	CSB-50 13IB12	CSB-50 13IB18				
0.8741 0.8729	1.0005 0.9997	0.8775 0.8743		CSB-50 14IB04	CSB-50 14IB06	CSB-50 14IB12	CSB-50 14IB16	CSB-50 14IB20	
0.9991 0.9979	1.1255 1.1247	1.0025 0.9993	0.0056 0.0002	CSB-50 16IB06	CSB-50 16IB08	CSB-50 16IB12	CSB-50 16IB16	CSB-50 16IB20	CSB-50 16IB24
1.1238 1.1226	1.2818 1.2808	1.1278 1.1240		CSB-50 18IB06	CSB-50 18IB10	CSB-50 18IB12	CSB-50 18IB16		
1.2488 1.2472	1.4068 1.4058	1.2528 1.2490	0.0064 0.0002	CSB-50 20IB06	CSB-50 20IB12	CSB-50 20IB14	CSB-50 20IB16	CSB-50 20IB20	CSB-50 20IB28
1.3738 1.3722	1.5318 1.5308	1.3778 1.3740		CSB-50 22IB12	CSB-50 22IB12	CSB-50 22IB24	CSB-50 22IB28		
1.4988 1.4972	1.6568 1.6558	1.5028 1.4990		CSB-50 24IB08	CSB-50 24IB16	CSB-50 24IB18	CSB-50 24IB20	CSB-50 24IB24	CSB-50 24IB32
1.6238 1.6222	1.7818 1.7808	1.6278 1.6240		CSB-50 26IB16	CSB-50 26IB24				
1.7487 1.7471	1.9381 1.9371	1.7535 1.7489	0.0064 0.0002	CSB-50 28IB16	CSB-50 28IB24	CSB-50 28IB32			

CSB-50 Inch Cylindrical Bushes

Unit: inch"

Shaft D _s	Housing H7 D _H	ID after fixed D _{i,a}	Clearance C _D	Length ± 0.010											
				CSB-50 30IB12	CSB-50 30IB16	CSB-50 30IB36									
1.8737 1.8721	2.0633 2.0621	1.8787 1.8739	0.0066 0.0002	CSB-50 30IB12	CSB-50 30IB16	CSB-50 30IB36									
1.9987 1.9969	2.1883 2.1871	2.0037 1.9989	0.0068 0.0002	CSB-50 32IB08	CSB-50 32IB16	CSB-50 32IB24	CSB-50 32IB28	CSB-50 32IB32	CSB-50 32IB40						
2.1257 2.1239	2.3130 2.3118	2.1326 2.1262		CSB-50 34IB48											
2.2507 2.2489	2.4377 2.4365	2.2573 2.2509		CSB-50 36IB28	CSB-50 36IB32	CSB-50 36IB40	CSB-50 36IB48	CSB-50 36IB56	CSB-50 36IB60	CSB-50 36IB64	CSB-50 36IB72				
2.5011 2.4993	2.6881 2.6869	2.5077 2.5013		CSB-50 40IB16	CSB-50 40IB26	CSB-50 40IB32	CSB-50 40IB40	CSB-50 40IB48	CSB-50 40IB56	CSB-50 40IB60	CSB-50 40IB64	CSB-50 40IB72	CSB-50 40IB76		
2.7500 2.7482	2.9370 2.9358	2.7566 2.7502		CSB-50 44IB32	CSB-50 44IB36	CSB-50 44IB40	CSB-50 44IB48	CSB-50 44IB56	CSB-50 44IB60	CSB-50 44IB64	CSB-50 44IB72	CSB-50 44IB76	CSB-50 44IB76		
2.8752 2.8734	3.0623 3.0610	2.8819 2.8754	0.0085 0.0002	CSB-50 46IB32	CSB-50 46IB36	CSB-50 46IB40	CSB-50 46IB48	CSB-50 46IB56	CSB-50 46IB60	CSB-50 46IB64	CSB-50 46IB72	CSB-50 46IB76	CSB-50 46IB76		
3.0000 2.9982	3.1872 3.1858	3.0068 3.0002	0.0086 0.0002	CSB-50 48IB32	CSB-50 48IB36	CSB-50 48IB40	CSB-50 48IB48	CSB-50 48IB56	CSB-50 48IB60	CSB-50 48IB64	CSB-50 48IB72	CSB-50 48IB76	CSB-50 48IB76		
3.2500 3.2480	3.4372 3.4358	3.2568 3.2502	0.0088 0.0002	CSB-50 52IB32	CSB-50 52IB36	CSB-50 52IB40	CSB-50 52IB48	CSB-50 52IB56	CSB-50 52IB60	CSB-50 52IB64	CSB-50 52IB72	CSB-50 52IB76	CSB-50 52IB76		
3.5000 3.4978	3.6872 3.6858	3.5068 3.5002		CSB-50 56IB32	CSB-50 56IB36	CSB-50 56IB40	CSB-50 56IB48	CSB-50 56IB56	CSB-50 56IB60	CSB-50 56IB64	CSB-50 56IB72	CSB-50 56IB76	CSB-50 56IB76		
3.6250 3.6228	3.8122 3.8108	3.6318 3.6252		CSB-50 58IB32	CSB-50 58IB36	CSB-50 58IB40	CSB-50 58IB48	CSB-50 58IB56	CSB-50 58IB60	CSB-50 58IB64	CSB-50 58IB72	CSB-50 58IB76	CSB-50 58IB76		
3.7500 3.7478	3.9372 3.9358	3.7568 3.7502	0.0090 0.0002	CSB-50 60IB32	CSB-50 60IB36	CSB-50 60IB40	CSB-50 60IB48	CSB-50 60IB56	CSB-50 60IB60	CSB-50 60IB64	CSB-50 60IB72	CSB-50 60IB76	CSB-50 60IB76		
4.0000 3.9978	4.1872 4.1858	4.0068 4.0002		CSB-50 64IB32	CSB-50 64IB36	CSB-50 64IB40	CSB-50 64IB48	CSB-50 64IB56	CSB-50 64IB60	CSB-50 64IB64	CSB-50 64IB72	CSB-50 64IB76	CSB-50 64IB76		
4.2500 4.2478	4.4372 4.4358	4.2568 4.2502		CSB-50 68IB32	CSB-50 68IB36	CSB-50 68IB40	CSB-50 68IB48	CSB-50 68IB56	CSB-50 68IB60	CSB-50 68IB64	CSB-50 68IB72	CSB-50 68IB76	CSB-50 68IB76		
4.3750 4.3728	4.5622 4.5608	4.3818 4.3752		CSB-50 70IB32	CSB-50 70IB36	CSB-50 70IB40	CSB-50 70IB48	CSB-50 70IB56	CSB-50 70IB60	CSB-50 70IB64	CSB-50 70IB72	CSB-50 70IB76	CSB-50 70IB76		
4.5000 4.4978	4.6872 4.6858	4.5068 4.5002		CSB-50 72IB32	CSB-50 72IB36	CSB-50 72IB40	CSB-50 72IB48	CSB-50 72IB56	CSB-50 72IB60	CSB-50 72IB64	CSB-50 72IB72	CSB-50 72IB76	CSB-50 72IB76		
4.7500 4.7478	4.9374 4.9358	4.7572 4.7502	0.0094 0.0002	CSB-50 76IB32	CSB-50 76IB36	CSB-50 76IB40	CSB-50 76IB48	CSB-50 76IB56	CSB-50 76IB60	CSB-50 76IB64	CSB-50 76IB72	CSB-50 76IB76	CSB-50 76IB76		
4.9986 4.9961	5.1860 5.1844	5.0056 4.9988		CSB-50 80IB32	CSB-50 80IB36	CSB-50 80IB40	CSB-50 80IB48	CSB-50 80IB56	CSB-50 80IB60	CSB-50 80IB64	CSB-50 80IB72	CSB-50 80IB76	CSB-50 80IB76		
5.2500 5.2475	5.4374 5.4358	5.2570 5.2502		CSB-50 84IB32	CSB-50 84IB36	CSB-50 84IB40	CSB-50 84IB48	CSB-50 84IB56	CSB-50 84IB60	CSB-50 84IB64	CSB-50 84IB72	CSB-50 84IB76	CSB-50 84IB76		
5.5000 5.4975	5.6874 5.6858	5.5070 5.5002		CSB-50 88IB32	CSB-50 88IB36	CSB-50 88IB40	CSB-50 88IB48	CSB-50 88IB56	CSB-50 88IB60	CSB-50 88IB64	CSB-50 88IB72	CSB-50 88IB76	CSB-50 88IB76		
5.7500 5.7475	5.9374 5.9358	5.7570 5.7502	0.0095 0.0002	CSB-50 92IB32	CSB-50 92IB36	CSB-50 92IB40	CSB-50 92IB48	CSB-50 92IB56	CSB-50 92IB60	CSB-50 92IB64	CSB-50 92IB72	CSB-50 92IB76	CSB-50 92IB76		
6.0000 5.9975	6.1874 6.1858	6.0070 6.0002		CSB-50 96IB32	CSB-50 96IB36	CSB-50 96IB40	CSB-50 96IB48	CSB-50 96IB56	CSB-50 96IB60	CSB-50 96IB64	CSB-50 96IB72	CSB-50 96IB76	CSB-50 96IB76		
6.2500 6.2475	6.4374 6.4358	6.2570 6.2502		CSB-50 100IB32	CSB-50 100IB36	CSB-50 100IB40	CSB-50 100IB48	CSB-50 100IB56	CSB-50 100IB60	CSB-50 100IB64	CSB-50 100IB72	CSB-50 100IB76	CSB-50 100IB76		
6.5000 6.4975	6.6874 6.6858	6.5070 6.5002		CSB-50 104IB32	CSB-50 104IB36	CSB-50 104IB40	CSB-50 104IB48	CSB-50 104IB56	CSB-50 104IB60	CSB-50 104IB64	CSB-50 104IB72	CSB-50 104IB76	CSB-50 104IB76		
6.7500 6.7475	6.9374 6.9358	6.7570 6.7502		CSB-50 108IB32	CSB-50 108IB36	CSB-50 108IB40	CSB-50 108IB48	CSB-50 108IB56	CSB-50 108IB60	CSB-50 108IB64	CSB-50 108IB72	CSB-50 108IB76	CSB-50 108IB76		
6.9954 6.9929	7.1830 7.1812	7.0026 6.9956	0.0097 0.0002	CSB-50 112IB32	CSB-50 112IB36	CSB-50 112IB40	CSB-50 112IB48	CSB-50 112IB56	CSB-50 112IB60	CSB-50 112IB64	CSB-50 112IB72	CSB-50 112IB76	CSB-50 112IB76		

CSB-50 Inch Flange Bushes



Unit: inch"

Shaft D_s	Housing H7 D_H	ID after fixed $D_{i,a}$	Clearance C_D	Nominal Flange D_{fl}	Flange Thickness S_{fl}	Length ± 0.010			
						CSB-50	CSB-50	CSB-50	CSB-50
0.3750 0.3740	0.4691 0.4684	0.3779 0.3752	0.0039 0.0002	0.7075 0.6675	0.052 0.044	CSB-50 06FIB04	CSB-50 06FIB06	CSB-50 06FIB08	CSB-50 06FIB12
0.5000 0.4990	0.5941 0.5934	0.5029 0.5002	0.0039 0.0002	0.8325 0.7925	0.052 0.044	CSB-50 08FIB04	CSB-50 08FIB06	CSB-50 08FIB08	CSB-50 08FIB12
0.6250 0.6240	0.7192 0.7184	0.6280 0.6252	0.0040 0.0002	0.9575 0.9175	0.052 0.044	CSB-50 10FIB06	CSB-50 10FIB08	CSB-50 10FIB10	CSB-50 10FIB12
0.7500 0.7488	0.8755 0.8747	0.7534 0.7502	0.0046 0.0002	1.1450 1.1050	0.068 0.060	CSB-50 12FIB06	CSB-50 12FIB08	CSB-50 12FIB12	CSB-50 12FIB16
0.8750 0.8738	1.0005 0.9997	0.8784 0.8752	0.0046 0.0002	1.2200 1.1800	0.068 0.060	CSB-50 14FIB08	CSB-50 14FIB12	CSB-50 14FIB16	CSB-50 14FIB20
1.0000 0.9988	1.1255 1.1247	1.0034 1.0002	0.0046 0.0002	1.3950 1.3550	0.068 0.060	CSB-50 16FIB08	CSB-50 16FIB12	CSB-50 16FIB16	CSB-50 16FIB20
1.2500 1.2484	1.4068 1.4058	1.2540 1.2502	0.0056 0.0002	1.7700 1.7300	0.083 0.075	CSB-50 20FIB16	CSB-50 20FIB20	CSB-50 20FIB24	
1.5000 1.4984	1.6568 1.6558	1.5040 1.5002	0.0056 0.0002	2.0200 1.9800	0.083 0.075	CSB-50 24FIB16	CSB-50 24FIB24	CSB-50 24FIB32	
1.7500 1.7484	1.9381 1.9371	1.7548 1.7502	0.0064 0.0002	2.3950 2.3550	0.098 0.090	CSB-50 28FIB16	CSB-50 28FIB24	CSB-50 28FIB32	