

Spherical Plain Bearings CSB 向心关节轴承



Contents 目录

Production Programme P2-P9 产品分类
Radial spherical plain bearings P10-P38 向心关节轴承
Rod ends spherical plain bearings P39-P77 杆端关节轴承
Bearing Selection P78-P82 关节轴承类型的选择
Bearing Mounting P83-P86 关节轴承的安装
Bearing Tolerances P87-P91 尺寸公差



Jiashan CSB Self-lub Materials Co.,Ltd. 嘉善长盛自润材料有限公司



CSB Bearing Technologies Headquarter 浙江长盛轴承总部

As a leading manufacturer of self-lubricating bearings, we are devoted to researching and producing new bearing materials since from 1995. After years of work, we have successfully developed various bearing materials with many different standard bearing sizes, including Metal-polymer composite materials, Metallic self-lubricating materials, Bimetal composite materials, Plastic compound materials and Filament wound composite materials. In addition, we also provide a wide range plain bearings, including radial spherical plain bearings and rod ends, thanks to the self-lubricating technology, relying on in-depth study and successful application of related technologies, CSB can provide a more superior product performance and excellent ability to solve technical problems.

长盛自1995年起就开始致力于各类自润滑轴承和滑动轴承的研究开发与新产品新领域的推广和运用，通过十多年的努力形成了以金属塑料基复合自润滑材料、双金属边界润滑材料、金属基自润滑材料、树脂射出成型自润滑材料和长纤维缠绕自润滑材料等多种满足不同工况下使用的几万种不同规格的产品。除了自润滑轴承以外，我们还提供各类滑动轴承包括向心关节轴承和杆端关节轴承，得益于对自润滑技术的深入研究和相关技术的成功运用，CSB能够提供性能更为优越的自润滑关节轴承。

Your Partner for Self-lubricating Bearing Application

为所有工业提供各种自润滑轴承解决方案











The Purpose of this manual is to provide comprehensive technical information on the type, dimension, tolerance and installation of CSB Radial spherical plain bearings and Rod ends. Due to the continuous upgrading of production and technology, the promulgation of the manual is based on data established by the existing technical conditions, CSB shall have the right to modify technologies and no advance notice. As the bearings application function affected by many complex factors, although we have mentioned in the manual application of the related, but as far as possible, we recommend users to test samples.

本手册主要介绍了向心关节轴承和杆端关节轴承的型号、尺寸、公差以及相关装配的情况，由于生产技术的不断提升，手册上的颁布的数据只是依据现有技术条件确立的，CSB有权对相关技术加以修改并且不作事先通知；由于轴承在实际使用时受到许多复杂的因素影响，尽管我们在手册里有提到了相关的运用，但我们还是建议用户尽可能以样品进行试验。

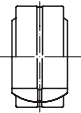
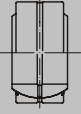


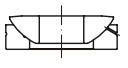
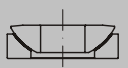
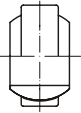
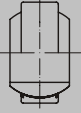
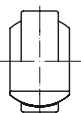



Production Programme

产品分类

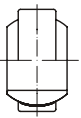
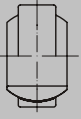
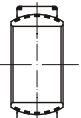

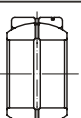
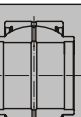
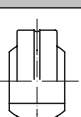
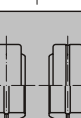
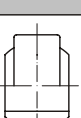

Index 简图	Bearing series 轴承型号	Bore diameter range(mm) 内径范围	Sliding contact surfaces 摩擦面	Relubrication needed 是否加油	Seals 是否带密封圈	Design features 结构特点	Page No. 页码
	GE..E	5~12	Steel/Steel 钢/钢	No 否	No 否	Outer ring with single split in axial direction. Both outer and inner rings are phosphate treated. 外圈开轴向缝，表面磷化处理。	10
	GE..ES	15~300	Steel/Steel 钢/钢	Yes 是	No 否	As series GE..E, but can be re-lubricated via annular groove and lubricating holes. 与GE..E相同，但内外圈有润滑油槽和油孔。	10
	GE..ES 2RS	15~300	Steel/Steel 钢/钢	Yes 是	Yes 是	As series GE..ES, but with lip seals in both sides. 与GE..ES相同，但两边带密封圈。	10
	GEG..E	6~12	Steel/Steel 钢/钢	No 否	No 否	As series GE..E, but with wider inner ring and larger outside diameter, heavy duty. 与GE..E相同，但内圈宽度更宽外径更大，适用于重负载。	11
	GEG..ES	15~280	Steel/Steel 钢/钢	Yes 是	No 否	As series GE..ES, but with wider inner ring and larger outside diameter. 与GE..ES相同，但内圈宽度更宽外径更大。	11
	GEG..ES 2RS	15~280	Steel/Steel 钢/钢	Yes 是	Yes 是	As series GEG..ES, but with lip seals in both sides. 与GEG..ES相同，但两边带密封圈。	11
	GE..LO	12~320	Steel/Steel 钢/钢	Yes 是	No 否	As series GE..ES, but with cylindrical extensions at both sides of the inner ring. 与GE..ES相同，但内圈两端有伸出圆筒。	12
	GE..HO 2RS	17~80	Steel/Steel 钢/钢	Yes 是	Yes 是	As series GE..ES 2RS, but with cylindrical extensions at both sides of the inner ring. 与GE..ES 2RS相同，但内圈两端有伸出圆筒。	13
	GEZ..ES	12.70~152.40	Steel/Steel 钢/钢	Yes 是	No 否	As series GE..ES, but in inch dimension series. 与GE..ES相同，但尺寸为英制系列。	14
	GEZ..ES 2RS	19.05~152.40	Steel/Steel 钢/钢	Yes 是	Yes 是	As series GEZ..ES, but with lip seal in both sides. 与GEZ..ES相同，但两边带密封圈。	14

产品分类

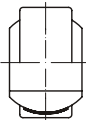
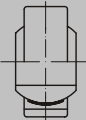
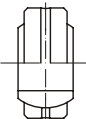
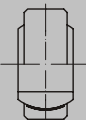
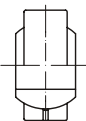
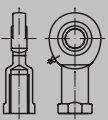
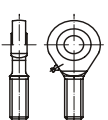
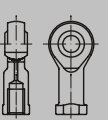
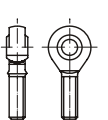
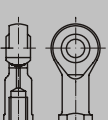
Index 简图	Bearing series 轴承型号	Bore diameter range(mm) 内径范围	Sliding contact surfaces 摩擦面	Relubrication needed 是否加油	Seals 是否带密封圈	Design features 结构特点	Page No. 页码
	GEGZ..ES	31.75~101.60	Steel/Steel 钢/钢	Yes 是	No 否	As series GEG..ES, but in inch dimension series. 与GEG..ES相同, 但尺寸为英制系列。	15
	GEGZ..ES 2RS	31.75~101.60	Steel/Steel 钢/钢	Yes 是	Yes 是	As series GEGZ..ES, but with lip seal in both sides. 与GEGZ..ES相同, 但两边带密封圈。	15
	GE..SX	25~200	Steel/Steel 钢/钢	Yes 是	No 否	Outer ring with lubricating groove and holes, both outer and inner rings are phosphate treated. 外圈有润滑油槽和油孔, 表面磷化处理。	16
	GE..SW	25~200	Steel/PTFE fabric 钢/PTFE 织物	No 否	No 否	Outer race lined with PTFE fabric, outer ring is phosphate treated. 外圈表面黏贴PTFE织物, 外圈磷化处理。	17
	GE..AX	10~200	Steel/Steel 钢/钢	Yes 是	No 否	Outer ring with lubricating groove and holes, both outer and inner rings are phosphate treated. 外圈有润滑油槽和油孔, 表面磷化处理。	18
	GE..AW	10~360	Steel/PTFE fabric 钢/PTFE 织物	No 否	No 否	Outer race lined with PTFE fabric, outer ring is phosphate treated. 外圈表面黏贴PTFE织物, 外圈磷化处理。	19
	GE..UK	6~30	Steel/CSB-FR PTFE composite material 钢/CSB-FR PTFE软带	No 否	No 否	Outer ring pressed around inner ring, outer race lined with CSB-FR composite material. 外圈挤压成形, 球面衬有CSB-FR聚四氟乙烯软带。	20
	GE..UK 2RS	15~300	Steel/PTFE fabric 钢/PTFE 织物	No 否	Yes 是	Outer ring with single split in axial direction, outer race lined with PTFE fabric. 外圈开轴向缝, 外圈球面黏贴PTFE织物。	21
	GE..FW	6~30	Steel/CSB-FR PTFE composite material 钢/CSB-FR PTFE软带	No 否	No 否	As series GE..UK, but with wider inner ring and larger outside diameter. 与GE..UK相同, 但内圈宽度更宽外径更大。	22
	GE..FW 2RS	15~280	Steel/PTFE fabric 钢/PTFE 织物	No 否	Yes 是	As series GE..UK 2RS, but with wider inner ring and larger outside diameter. 与GE..UK 2RS相同, 但内圈宽度更宽外径更大。	23

Production Programme

产品分类

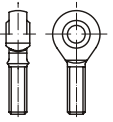
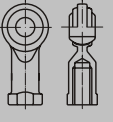
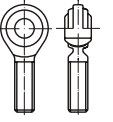
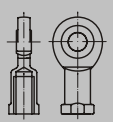
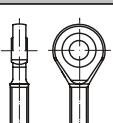
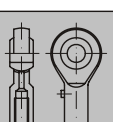
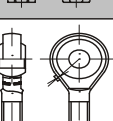
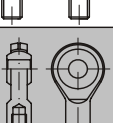
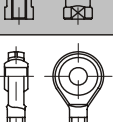
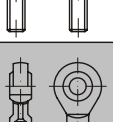
Index 简图	Bearing series 轴承型号	Bore diameter range(mm) 内径范围	Sliding contact surfaces 摩擦面	Relubrication needed 是否加油	Seals 是否带 密封圈	Design features 结构特点	Page No. 页码
	SGE..UK	6~30	Steel/CSB-FR PTFE composite material 钢/CSB-FR PTFE软带	No 否	No 否	As series GE..UK, but in stainless steel. 与GE..UK相同, 但材料为不锈钢。	24
	SGE..FW	6~30	Steel/CSB-FR PTFE composite material 钢/CSB-FR PTFE软带	No 否	No 否	As series GE..FW, but in stainless steel. 与GE..FW相同, 但材料为不锈钢。	25
	GE..XF/Q	100~300	Steel/Copper alloy 钢/铜合金	No 否	No 否	As series GE..ES, but the inner ring for copper alloy with solid lubricants. 与GE..ES相同, 但内圈为铜合金含 固体润滑剂。	26
	GEG..XF/Q	100~400	Steel/Copper alloy 钢/铜合金	No 否	No 否	As series GEG..ES, but the inner ring for copper alloy with solid lubricants. 与GEG..ES相同, 但内圈为铜合金 含固体润滑剂。	27
	GE..XS/K GEK..XS 2RS	12~150 25~60	Steel/Bronze 钢/铜	Yes 是	Optional 可选	Outer ring with two axial pieces. both outer and inner rings are properly phosphate treated. 外圈部分, 表面磷化处理。	28
	GEWK.. ES 2RS	45~120	Steel/Steel 钢/钢	Yes 是	Yes 是	As series GE..ES 2RS, but with cylindrical extensions at both sides of the inner ring. 与GE..ES 2RS 相同, 但内圈两端 有伸出圆筒。	29
	GEBK..S	5~30	Steel/Bronze 钢/铜	Yes 是	No 否	Outer race with bronze liner with lubricating groove and holes in outer ring. 外圈球面镶有青铜, 外圈有润滑油 槽和油孔。	30
	WCN..	6~130	Steel/Bronze 钢/铜	Yes 是	No 否	Both outer and inner rings are not phosphate treated. 内外圈不做磷化处理。	31
	G..PB	5~50	Steel/Bronze 钢/铜	Yes 是	No 否	Outer ring in bronze, pressed around inner ring, with lubricating hole in outer ring. 外圈挤压成形, 材料为铜, 有润滑 油孔。	32
	S..PB	5~30	Steel/Bronze 钢/铜	Yes 是	No 否	G..PB series with steel sleeve. 由G..PB和钢衬套组成。	33

产品分类

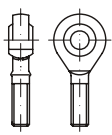
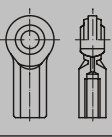
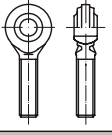
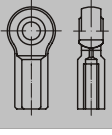
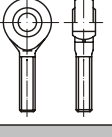
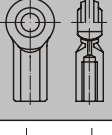
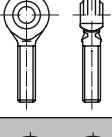
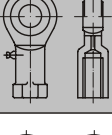
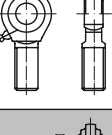
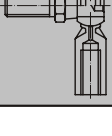
Index 简图	Bearing series 轴承型号	Bore diameter range(mm) 内径范围	Sliding contact surfaces 摩擦面	Relubrication needed 是否加油	Seals 是否带 密封圈	Design features 结构特点	Page No. 页码
	G..PW	5~50	Steel/CSB-FR PTFE composite material 钢/CSB-FR PTFE软带	No 否	No 否	Outer ring in brass, same dimensions as G..PB, but outer race lined with PTFE composite material. 外圈由黄铜制成，尺寸和G..PB一样， 但外圈球面衬有 PTFE 合成材料。	34
	S..PW	5~30	Steel/CSB-FR PTFE composite material 钢/CSB-FR PTFE软带	No 否	No 否	G..PW series with steel sleeve. 由G..PW和钢衬套组成。	35
	COM.. HCOM..	4.826~50.8	Steel/Steel 钢/钢	Yes 是	No 否	Outer ring pressed around inner ring, with lubricating groove and holes in outer ring. In inch dimensions series 外圈挤压成形，有润滑槽和油孔。 尺寸为英制。	36
	COM..T HCOM..T	4.826~50.8	Steel/PTFE fabric 钢/PTFE 织物	No 否	No 否	As series COM, but outer race lined with PTFE fabric. 与COM相同，但外圈球面粘贴PTFE 织物。	37
	GEBJ..S	5~30	Steel/Steel 钢/钢	Yes 是	No 否	Outer ring pressed around inner ring, with lubricating groove and holes in outer ring. 外圈挤压成形，有润滑槽和油孔。	38
	SI..E(S) SI..ES 2RS	6~80	Steel/Steel 钢/钢	Yes 是	Optional 可选	It is made up of a radial spherical plain bearing GE..E(S) or GE..ES 2RS and rod body, with female thread. 由向心关节轴承 GE..E(S)或 GE..ES 2RS 和杆端体组装而成，为内螺纹。	39
	SA..E(S) SA..ES 2RS	6~80	Steel/Steel 钢/钢	Yes 是	Optional 可选	As series SI..E(S) or SI..ES 2RS, but with male thread. 与SI..E(S)或SI..ES 2RS 相同，但 为外螺纹。	40
	SI..T/K	5~50	Steel/CSB-FR PTFE composite material 钢/CSB-FR PTFE软带	No 否	No 否	It is made up of a maintenance-free radial spherical plain bearing G..PW and rod body, with female thread. 由自润滑关节轴承G..PW 和杆端体 组装而成，为内螺旋。	41
	SA..T/K	5~50	Steel/CSB-FR PTFE composite material 钢/CSB-FR PTFE软带	No 否	No 否	As series SI..T/K, but with male thread. 与SI..T/K相同，但为外螺纹。	42
	SSI..T/K	5~30	Stainless Steel/CSB-FR PTFE composite material 不锈钢/CSB-FR PTFE软带	No 否	No 否	As series SI..T/K, but in stainless steel. 与SI..T/K相同，但材料为不锈钢。	43

Production Programme

产品分类

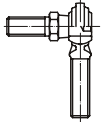
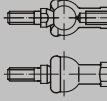
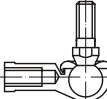
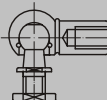
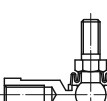
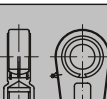
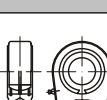
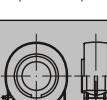
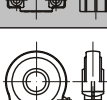
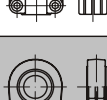
Index 简图	Bearing series 轴承型号	Bore diameter range(mm) 内径范围	Sliding contact surfaces 摩擦面	Relubrication needed 是否加油	Seals 是否带 密封圈	Design features 结构特点	Page No. 页码
	SSA..T/K	5~30	Stainless Steel/CSB-FR PTFE composite material 不锈钢/CSB-FR PTFE软带	No 否	No 否	As series SA..T/K, but in stainless steel. 与SA..T/K相同, 但材料为不锈钢。	44
	SI..PK	5~25	Steel/CSB-FR PTFE composite material 钢/CSB-FR PTFE软带	No 否	No 否	Rod body pressed around inner ring, outer race lined with PTFE composite material. 外圈挤压成形, 球面衬有PTFE合成 材料。	45
	SA..PK	5~25	Steel/CSB-FR PTFE composite material 钢/CSB-FR PTFE软带	No 否	No 否	As series SI..PK, but with male thread. 与SI..PK相同, 但为外螺纹。	46
	GIR..UK GIR..UK 2RS	6~80	Steel/CSB-FR PTFE composite material 钢/CSB-FR PTFE软带	No 否	Optional 可选	It is made up of a maintenance-free radial spherical plain bearing GE..UK or GE..UK 2RS and rod body, with female thread. 由向心关节轴承GE..UK或GE..UK 2RS和杆端体组装而成, 为内螺纹。	47
	GAR..UK GAR..UK 2RS	6~80	Steel/CSB-FR PTFE composite material 钢/CSB-FR PTFE软带	No 否	Optional 可选	As series GIR..UK(2RS), but with male thread. 与GIR..UK(2RS)相同, 但为外螺纹。	48
	PHS..	4~30	Steel/Bronze 钢/铜	Yes 是	No 否	Outer ring with bronze liner, with lubricating hole or nipple. 外圈镶有青铜, 有润滑油孔或油杯。	49
	POS..	5~30	Steel/Bronze 钢/铜	Yes 是	No 否	As series PHS, but with male thread. 与PHS相同, 但为外螺纹。	50
	SI..ZK	4~30	Steel/Plastic 钢/塑料	No 否	No 否	Dimensions same as series PHS, but with moulded Nylon/Teflon/Fiberglass compound insert 尺寸与 HPS 相同, 但外圈用注塑工艺 成型。	51
	SA..ZK	5~30	Steel/Plastic 钢/塑料	No 否	No 否	Dimensions same as series POS, but with moulded Nylon/Teflon/Fiderglass compound insert. 尺寸与POS相同, 但外圈用注塑工艺 成型。	52
	SIZP..S	4.826~25.40	Steel/Bronze 钢/铜	Yes 是	No 否	As series PHS, but in inch dimension series. 与 PHS 相同, 但尺寸为英制。	53

产品分类

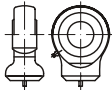
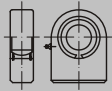
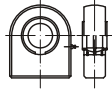
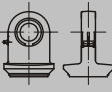
Index 简图	Bearing series 轴承型号	Bore diameter range(mm) 内径范围	Sliding contact surfaces 摩擦面	Relubrication needed 是否加油	Seals 是否带密封圈	Design features 结构特点	Page No. 页码
	SAZP..S	4.826~25.40	Steel/Bronze 钢/铜	Yes 是	No 否	As series SIZP..S, but with male thread. 与SIZP..S相同, 但为外螺纹。	54
	CF..	4.826~19.050	Steel/Steel 钢/钢	Yes 是	No 否	Rod body pressed around inner ring, in inch dimension series. 挤压成形, 尺寸为英制	55
	CM..	4.826~19.050	Steel/Steel 钢/钢	Yes 是	No 否	As series CF, but with male thread. 与CF相同, 但为外螺纹。	56
	JF..	3.175~25.400	Steel/Bronze 钢/铜	Yes 是	No 否	Dimensions same as CF, but with bronze liner 尺寸与CF相同, 但镶有青铜。	57
	JM..	3.175~25.400	Steel/Bronze 钢/铜	Yes 是	No 否	As series JF, but with male thread. 与JF相同, 但为外螺纹。	58
	CF..T	4.826~19.050	Steel/PTFE fabric 钢/PTFE 织物	No 否	No 否	As series CF, but outer race lined with PTFE fabric. 与CF相同, 但外圈球面衬有PTFE织物。	59
	CM..T	4.826~19.050	Steel/PTFE fabric 钢/PTFE 织物	No 否	No 否	As series CF..T, but with male thread. 与CF..T相同, 但为外螺纹。	60
	KF..	31.75~50.80	Steel/Steel 钢/钢	Yes 是	Optional 可选	As series SI..ES or SI..ES 2RS, but in inch dimension series. 与SI..ES或SI..ES 2RS相同, 但尺寸为英制。	61
	KM..	31.75~50.80	Steel/Steel 钢/钢	Yes 是	Optional 可选	As series KF, but with maie thread. 与KF相同, 但为外螺纹。	62
	CF..Y		Steel/Steel 钢/钢	Yes 是	No 否	Rod end CF with thread stud. CF 带螺纹杆。	63

Production Programme

产品分类

Index 简图	Bearing series 轴承型号	Bore diameter range(mm) 内径范围	Sliding contact surfaces 摩擦面	Relubrication needed 是否加油	Seals 是否带 密封圈	Design features 结构特点	Page No. 页码
	CM..Y		Steel/Steel 钢/钢	Yes 是	No 否	Rod end CM with thread stud. CM 带螺纹杆。	64
	SQZ..RS		Steel/Zinc base alloy 钢/锌合金	No 否	No 否	Ball joint housing with zinc base alloy. 球头座用锌基合金制造。	65
	SQ..RS		Steel/Zinc base alloy 钢/锌合金	No 否	No 否	Ball joint housing with zinc base alloy. 球头座用锌基合金制造。	66
	SQP..S		Steel/Steel 钢/钢	No 否	No 否	Ball joint housing in steel, with security clip. 球头座用碳钢制造，带有安全卡环。	67
	BL..D/BD		Steel/Steel 钢/钢	Yes 是	No 否	Ball joint housing made of zinc base alloy. 球头座由锌基合金制成。	68
	GIHR..DO	20~120	Steel/Steel 钢/钢	Yes 是	Optional 可选	It is made up of a radial spherical plain bearing GE..E(S) or GE..ES 2RS, and Rod body with female thread. 由向心关节轴承 GE..E(S)或GE..ES 2RS和带内螺纹的杆体组成。	69
	GIHR-K..DO	20~120	Steel/Steel 钢/钢	Yes 是	Optional 可选	Aa series GIHR..DO, but with locking slot and nuts. 与GIHR..DO 相同，但有锁紧口和紧定 螺栓。	70
	GIHN-K..LO	12~160	Steel/Steel 钢/钢	Yes 是	No 否	As series GIHR-K..DO, but with radial spherical plain bearing GE..LO. 与GIHR-K..DO 相同，但装有向心关节 轴承 GE..LO。	71
	GIHO-K..DO	12~100	Steel/Steel 钢/钢	Yes 是	Optional 可选	As series GIHR-K..DO, but in different dimensions. 与GIHR-K..DO 相同，但尺寸不同。	72
	GK..SK	25~160	Steel/Steel 钢/钢	Yes 是	Optional 可选	It is made up of radial spherical plan bearing GE..E(S) or GE..ES 2RS and rod body with female thread. 由向心关节轴承 GE..E(S)或GF..ES 2RS 和带内螺纹的杆体组成。	73

产品分类

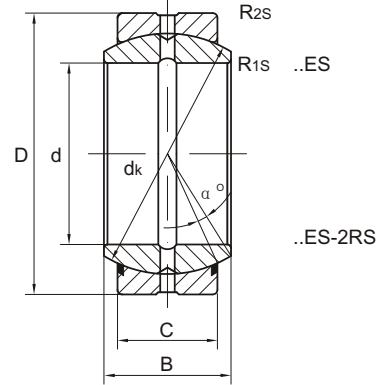
Index 简图	Bearing series 轴承型号	Bore diameter range(mm) 内径范围	Sliding contact surfaces 摩擦面	Relubrication needed 是否加油	Seals 是否带 密封圈	Design features 结构特点	Page No. 页码
	GK..DO	10~80	Steel/Steel 钢/钢	Yes 是	Optional 可选	It is made up of a radial spherical plain bearing GE..E(s) or GE..ES 2RS, and rod body with weldable base and dowel pin. 由向心关节轴承GE..E(S)或GE..ES 2RS和带有可焊接坡口和定位销的杆体组成。	74
	GF..DO	15~120	Steel/Steel 钢/钢	Yes 是	Optional 可选	It is made up of a radial spherical plain bearing GE..E(S) or GE..ES 2RS, and rod body with weldable base. 由向心关节轴承GE..E(S)或GE..ES2RS和带有可焊接底座的杆体组成。	75
	GF..LO	16~110	Steel/Steel 钢/钢	Yes 是	No 否	As series GF..DO, but with radial spherical plain bearing GE..LO. 与GF..DO相同,但带有向心关节轴承GE..LO。	76
	TS..NF	20~60	Steel/Steel 钢/钢	Yes 是	Optional 可选	It is made up of a radial spherical plain bearing GE..E(S) or GE..ES 2RS, and rod body with weldable base. 由向心关节轴承 GE..E(S)或GE..ES 2RS和带有可焊接底座的杆体组成。	77

Radial spherical plain bearings GE..E(S), GE..ES 2RS

向心关节轴承

Maintenance required 需润滑

- Outer ring with single split in axial direction.
- Lubricating grooves and holes in the outer and inner rings of type ES.
- Outer ring of type 2RS with lip seals in both sides.
- Both outer and inner rings are properly phosphate treated.
- 外圈有一道轴向缝。
- ES型内圈和外圈有润滑油槽和油孔。
- 2RS型外圈两面带密封圈。
- 内外圈表面磷化处理。



Part No. 型号	Dimensions 尺寸mm								Load ratings 负荷KN		Weight 重量Kg	
	d	D	B	C	dk	R1s min	R2s min	α ≈	dyn. 动 Cd	stat. 静 Cs		
GE 5 E	5	14	6	4	10	0.3	0.3	13	3.4	17	0.004	
GE 6 E	6	14	6	4	10	0.3	0.3	13	3.4	17	0.004	
GE 8 E	8	16	8	5	13	0.3	0.3	15	5.5	27.5	0.007	
GE 10 E	10	19	9	6	16	0.3	0.3	12	8.15	40.5	0.011	
GE 12 E	12	22	10	7	18	0.3	0.3	11	10.8	54	0.016	
GE 15 ES	GE 15 ES 2RS	15	26	12	9	22	0.3	0.3	8	17	85	0.026
GE 16 ES	GE 16 ES 2RS	16	30	14	10	25	0.3	0.3	10	21.2	106	0.043
GE 17 ES	GE 17 ES 2RS	17	30	14	10	25	0.3	0.3	10	21.2	106	0.043
GE 20 ES	GE 20 ES 2RS	20	35	16	12	29	0.3	0.3	9	30	146	0.061
GE 25 ES	GE 25 ES 2RS	25	42	20	16	35.5	0.6	0.6	7	48	240	0.11
GE 30 ES	GE 30 ES 2RS	30	47	22	18	40.7	0.6	0.6	6	62	310	0.14
GE 35 ES	GE 35 ES 2RS	35	55	25	20	47	0.6	1.0	6	80	400	0.22
GE 40 ES	GE 40 ES 2RS	40	62	28	22	53	0.6	1.0	7	100	500	0.30
GE 45 ES	GE 45 ES 2RS	45	68	32	25	60	0.6	1.0	7	127	640	0.41
GE 50 ES	GE 50 ES 2RS	50	75	35	28	66	0.6	1.0	6	156	780	0.53
GE 55 ES	GE 55 ES 2RS	55	85	40	32	74	0.6	1.0	7	200	1000	0.94
GE 60 ES	GE 60 ES 2RS	60	90	44	36	80	1.0	1.0	6	245	1220	1.00
GE 70 ES	GE 70 ES 2RS	70	105	49	40	92	1.0	1.0	6	315	1560	1.50
GE 80 ES	GE 80 ES 2RS	80	120	55	45	105	1.0	1.0	6	400	2000	2.20
GE 90 ES	GE 90 ES 2RS	90	130	60	50	115	1.0	1.0	5	490	2450	2.70
GE 100 ES	GE 100 ES 2RS	100	150	70	55	130	1.0	1.0	7	610	3050	4.30
GE 110 ES	GE 110 ES 2RS	110	160	70	55	140	1.0	1.0	6	655	3250	4.70
GE 120 ES	GE 120 ES 2RS	120	180	85	70	160	1.0	1.0	6	950	4750	8.00
GE 140 ES	GE 140 ES 2RS	140	210	90	70	180	1.0	1.0	7	1080	5400	11.00
GE 160 ES	GE 160 ES 2RS	160	230	105	80	200	1.0	1.0	8	1360	6800	14.00
GE 180 ES	GE 180 ES 2RS	180	260	105	80	225	1.0	1.0	6	1530	7650	18.50
GE 200 ES	GE 200 ES 2RS	200	290	130	100	250	1.1	1.1	7	2120	10600	28.00
GE 220 ES	GE 220 ES 2RS	220	320	135	100	275	1.1	1.1	8	2320	11600	35.51
GE 240 ES	GE 240 ES 2RS	240	340	140	100	300	1.1	1.1	8	2550	12700	39.91
GE 260 ES	GE 260 ES 2RS	260	370	150	110	325	1.1	1.1	7	3030	15190	51.54
GE 280 ES	GE 280 ES 2RS	280	400	155	120	350	1.1	1.1	6	3570	17850	65.06
GE 300 ES	GE 300 ES 2RS	300	430	165	120	375	1.1	1.1	7	3800	19100	78.07

Radial spherical plain bearings GEG..E(S), GEG..ES 2RS

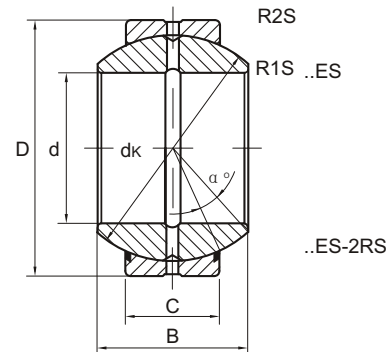


向心关节轴承

☐ Maintenance required, heavy-duty 需润滑, 重负载

- Outer ring with single split in axial direction.
- Lubricating grooves and holes in the outer and inner rings of type ES.
- Outer ring of type 2RS with lip seals in both sides.
- Both outer and inner rings are properly phosphated treated.

- 外圈有一道轴向缝。
- ES型内圈和外圈有润滑油槽和油孔。
- 2RS型外圈两面带密封圈。
- 内外圈表面磷化处理。



Part No. 型号	Dimensions 尺寸mm									Load ratings 负荷KN		Weight 重量Kg
	d	D	B	C	dk	R _{1s} min	R _{2s} min	α ≈	dyn. 动 C _d	stat. 静 C _s		
GEG 6 E	6	16	9	5	13	0.3	0.3	21	5.5	27.5	0.008	
GEG8 E	8	19	11	6	16	0.3	0.3	21	8.15	40.5	0.014	
GEG10 E	10	22	12	7	18	0.3	0.3	18	10.8	54	0.020	
GEG12 E	12	26	15	9	22	0.3	0.3	18	17	85	0.034	
GEG15 ES	GEG 15 ES 2RS	15	30	16	10	25	0.3	0.3	16	21.2	106	0.046
GEG 17 ES	GEG 17 ES 2RS	17	35	20	12	29	0.3	0.3	19	30	146	0.077
GEG20 ES	GEG 20 ES 2RS	20	42	25	16	35.5	0.6	0.6	17	48	240	0.150
GEG 25 ES	GEG 25 ES 2RS	25	47	28	18	40.7	0.6	0.6	17	62	310	0.190
GEG 30 ES	GEG 30 ES 2RS	30	55	32	20	47	0.6	1.0	17	80	400	0.290
GEG 35 ES	GEG 35 ES 2RS	35	62	35	22	53	0.6	1.0	16	100	500	0.380
GEG 40 ES	GEG 40 ES 2RS	40	68	40	25	60	0.6	1.0	17	127	640	0.540
GEG45 ES	GEG 45 ES 2RS	45	75	43	28	66	0.6	1.0	15	156	780	0.680
GEG50 ES	GEG 50 ES 2RS	50	90	56	36	80	0.6	1.0	17	245	1220	1.14
GEG60 ES	GEG 60 ES 2RS	60	105	63	40	92	1.0	1.0	17	315	1560	2.00
GEG70 ES	GEG 70 ES 2RS	70	120	70	45	105	1.0	1.0	16	400	2000	2.90
GEG80 ES	GEG 80 ES 2RS	80	130	75	50	115	1.0	1.0	14	490	2450	3.50
GEG90 ES	GEG 90 ES 2RS	90	150	85	55	130	1.0	1.0	15	610	3050	5.40
GEG100 ES	GEG 100 ES 2RS	100	160	85	55	140	1.0	1.0	14	655	3250	5.90
GEG110 ES	GEG 110 ES 2RS	110	180	100	70	160	1.0	1.0	12	950	4750	9.60
GEG120 ES	GEG 120 ES 2RS	120	210	115	70	180	1.0	1.0	16	1080	5400	15.10
GEG140 ES	GEG 140 ES 2RS	140	230	130	80	200	1.0	1.0	16	1360	6800	19.01
GEG160 ES	GEG 160 ES 2RS	160	260	135	80	225	1.0	1.1	16	1530	7650	24.70
GEG180 ES	GEG 180 ES 2RS	180	290	155	100	250	1.1	1.1	14	2120	10600	35.40
GEG200 ES	GEG 200 ES 2RS	200	320	165	100	270	1.1	1.1	15	2320	11600	45.28
GEG220 ES	GEG 220 ES 2RS	220	340	175	100	300	1.1	1.1	16	2550	12700	51.12
GEG240 ES	GEG 240 ES 2RS	240	370	190	110	325	1.1	1.1	15	3030	15190	65.12
GEG260 ES	GEG 260 ES 2RS	260	400	205	120	350	1.1	1.1	15	3570	17850	82.44
GEG280 ES	GEG 280 ES 2RS	280	430	210	120	375	1.1	1.1	15	3800	19100	97.21

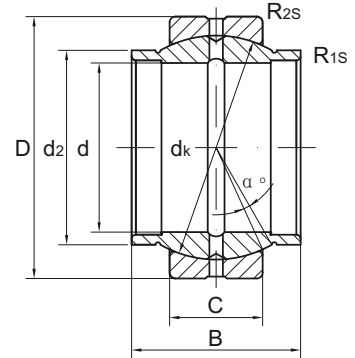
Radial spherical plain bearings GE..LO

向心关节轴承

Maintenance required 需润滑

- Outer ring with single split in axial direction.
- Inner ring with cylindrical extensions at both sides.
- Lubricating grooves and holes in the outer and inner rings .
- Both outer and inner rings are properly phosphate treated.

- 外圈有一道轴向缝。
- 内圈两端有伸出圆筒。
- 内圈和外圈有润滑油槽和油孔。
- 内外圈表面磷化处理。



Part No. 型号	Dimensions 尺寸mm									Load ratings 负荷KN		Weight 重量Kg
	d	d ₂	D	B	C	dk	R _{1s} min	R _{2s} min	α ≈	dyn. 动 C _d	stat. 静 C _s	
GE 12 LO	12	15.5	22	12	7	18	0.3	0.3	4	10	54	0.017
GE 16 LO	16	20	28	16	9	23	0.3	0.3	4	17.6	88	0.035
GE 20 LO	20	25	35	20	12	29	0.3	0.3	4	30	146	0.07
GE 25 LO	25	30.5	42	25	16	35.5	0.6	0.6	4	48	240	0.120
GE 30 LO	30	34	47	30	18	40.7	0.6	0.6	4	62	310	0.168
GE 32 LO	32	37	52	32	18	44	0.6	1.0	4	67	335	0.210
GE 35 LO	35	40	55	35	20	47	0.6	1.0	4	79	399	0.253
GE 40 LO	40	46	62	40	22	53	0.6	1.0	4	100	500	0.330
GE 45 LO	45	52	68	45	25	60	0.6	1.0	4	127	637	0.481
GE 50 LO	50	57	75	50	28	66	0.6	1.0	4	156	780	0.56
GE 60 LO	60	68	90	60	36	80	1.0	1.0	4	245	1220	1.15
GE 63 LO	63	71.5	95	63	36	83	1.0	1.0	4	255	1270	1.25
GE 70 LO	70	78	105	70	40	92	1.0	1.0	4	315	1560	1.71
GE 80 LO	80	91	120	80	45	105	1.0	1.0	4	400	2000	2.39
GE 90 LO	90	99	130	90	50	115	1.0	1.0	4	488	2440	3.21
GE 100 LO	100	113	150	100	55	130	1.0	1.0	4	607	3030	4.80
GE 110 LO	110	124	160	110	55	140	1.0	1.0	4	654	3270	5.78
GE 125 LO	125	138	180	125	70	160	1.0	1.0	4	950	4750	8.49
GE 160 LO	160	177	230	160	80	200	1.0	1.0	4	1360	6800	16.50
GE 200 LO	200	221	290	200	100	250	1.1	1.1	4	2120	10600	32.10
GE 250 LO	250	317	400	250	120	350	1.1	1.1	4	3750	17800	99.10
GE 320 LO	320	405	520	320	160	450	1.1	1.1	4	6200	30500	225

Radial spherical plain bearings GE..HO 2RS

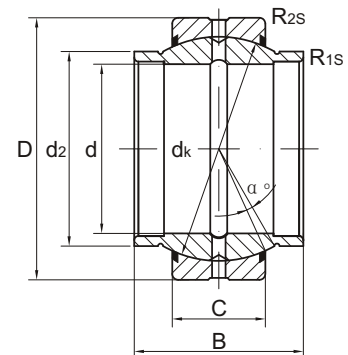


向心关节轴承

Maintenance required 需润滑

- Outer ring with single split in axial direction.
- Inner ring with cylindrical extensions at both sides.
- Lubricating grooves and holes in the outer and inner rings
- Outer ring with lip seals in both sides.
- Both outer and inner rings are properly phosphate treated.

- 外圈有一道轴向缝。
- 内圈两端有伸出圆筒。
- 内圈和外圈有润滑油槽和油孔。
- 外圈两面带密封圈。
- 内外圈表面磷化处理。



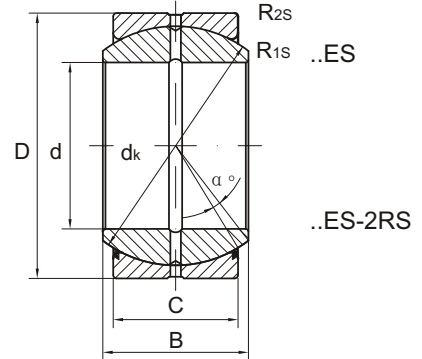
Part No. 型号	Dimensions 尺寸mm									Load ratings 负荷KN		Weight 重量Kg
	d	d ₂	D	B	C	d _k	R _{1s} min	R _{2s} min	α ≈	dyn.动 C _d	stat.静 C _s	
GE 17 HO 2RS	17	21	30	21	10	25	0.2	0.3	3	21.2	106	0.04
GE 20 HO 2RS	20	24	35	24	12	29	0.2	0.3	3	30	146	0.069
GE 25 HO 2RS	25	29	42	29	16	35.5	0.2	0.6	3	48	240	0.12
GE 30 HO 2RS	30	34	47	30	18	40.7	0.2	0.6	3	62	310	0.15
GE 35 HO 2RS	35	40	55	35	20	47	0.3	1.0	3	80	400	0.26
GE 40 HO 2RS	40	45	62	38	22	53	0.3	1.0	3	100	500	0.32
GE 45 HO 2RS	45	52	68	40	25	60	0.3	1.0	3	127	640	0.43
GE 50 HO 2RS	50	57	75	43	28	66	0.3	1.0	3	156	780	0.55
GE 60 HO 2RS	60	68	90	54	36	80	0.3	1.0	3	245	1220	1.10
GE 70 HO 2RS	70	78	105	65	40	92	0.3	1.0	3	315	1560	1.60
GE 80 HO 2RS	80	90	120	74	45	105	0.3	1.0	3	400	2000	2.50

Radial spherical plain bearings GEZ..ES, GEZ..ES 2RS

向心关节轴承

□ Maintenance required, inch dimeneions
需润滑，英制尺寸

- Design features same as GE..ES or GE..ES 2RS.
- In inch dimension series.
- 结构特点与GE..ES或GE..ES 2RS相同。
- 英制系列。



Part No. 型号	Dimensions 尺寸mm								Load ratings 负荷KN		Weight 重量Kg	
	d	D	B	C	dk	R _{1s} min	R _{2s} min	α ≈	dyn. 动 C _d	stat. 静 C _s		
GEZ 12 ES	12.70	22.225	11.10	9.525	18	0.3	0.6	6	13	41	0.022	
GEZ 15 ES	15.875	26.988	13.894	11.913	23	0.3	0.6	6	22	65	0.036	
GEZ 19 ES	GEZ 19 ES 2RS	19.05	31.75	16.662	14.275	27.5	0.3	0.6	6	31	95	0.053
GEZ 22 ES	GEZ 22 ES 2RS	22.225	36.513	19.431	16.662	32	0.3	0.6	6	42	127	0.085
GEZ 25 ES	GEZ 25 ES 2RS	25.40	41.275	22.225	19.05	36.5	0.3	0.6	6	56	166	0.121
GEZ 31 25	GEZ 31 ES 2RS	31.75	50.80	27.762	23.80	45.5	0.6	0.6	6	86	260	0.232
GEZ 34 ES	GEZ 34 ES 2RS	34.925	55.563	30.15	26.187	49	0.6	1.0	6	102	310	0.351
GEZ 38 ES	GEZ 38 ES 2RS	38.10	61.913	33.325	28.575	54.7	0.6	1.0	6	125	375	0.422
GEZ 44 ES	GEZ 44 ES 2RS	44.45	71.438	38.887	33.325	63.9	0.6	1.0	6	170	510	0.641
GEZ 50 ES	GEZ 50 ES 2RS	50.80	80.963	44.45	38.10	73	0.6	1.0	6	224	670	0.932
GEZ 57 ES	GEZ 57 ES 2RS	57.15	90.488	50.013	42.85	82	0.6	1.0	6	280	850	1.33
GEZ 63 ES	GEZ 63 ES 2RS	63.50	100.013	55.55	47.625	92	1.0	1.0	6	355	1050	1.85
GEZ 69 ES	GEZ 69 ES 2RS	69.85	111.125	61.112	52.375	100	1.0	1.0	6	415	1250	2.42
GEZ 76 ES	GEZ 76 ES 2RS	76.20	120.65	66.675	57.15	109.5	1.0	1.0	6	500	1500	3.10
GEZ 82 ES	GEZ 82 ES 2RS	82.55	130.175	72.238	61.90	119	1.0	1.0	6	585	1760	3.82
GEZ 88 ES	GEZ 88 ES 2RS	88.90	139.70	77.775	66.675	128	1.0	1.0	6	680	2040	4.79
GEZ 95 ES	GEZ 95 ES 2RS	95.25	149.225	83.337	71.425	137	1.0	1.0	6	780	2360	5.80
GEZ 101 ES	GEZ 101 ES 2RS	101.60	158.75	88.90	76.20	146	1.0	1.0	6	900	2650	7.00
GEZ 107 ES	GEZ 107 ES 2RS	107.95	168.275	94.463	80.95	154.9	1.0	1.0	6	1000	2900	8.41
GEZ 114 ES	GEZ 114 ES 2RS	114.30	177.80	100.013	85.725	164.5	1.0	1.0	6	1120	3400	9.80
GEZ 120 ES	GEZ 120 ES 2RS	120.65	187.325	105.562	90.475	173.5	1.0	1.0	6	1250	3750	11.5
GEZ 127 ES	GEZ 127 ES 2RS	127.00	196.85	111.125	95.25	183	1.0	1.0	6	1400	4150	13.5
GEZ 152 ES	GEZ 152 ES 2RS	152.40	222.25	120.65	104.775	207	1.0	1.0	5	1730	5200	17.5

Radial spherical plain bearings GEGZ..ES, GEGZ..ES 2RS



向心关节轴承

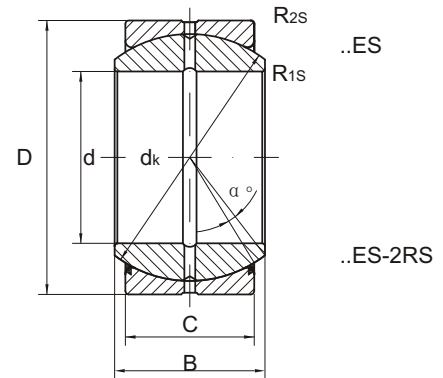
Maintenance required, inch dimensions
需润滑，英制尺寸

-Design features same as GEG..ES or GEG..ES 2RS.

-In inch dimension series.

-结构特点与GEG..ES或GEG..ES 2RS相同。

-英制系列。



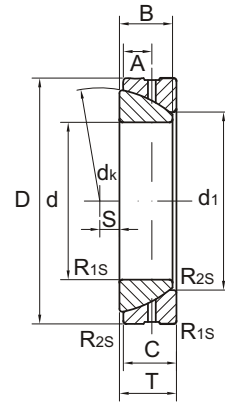
Part No. 型号		Dimensions 尺寸mm								Load ratings 负荷KN		Weight 重量Kg
		d	D	B	C	dk	R _{1s} min	R _{2s} min	α ≈	dyn. 动 C _d	stat. 静 C _s	
GEBZ 31 ES	GEGZ 31 ES 2RS	31.75	61.913	35.306	28.575	54.7	0.6	1.0	15	125	375	0.454
GEGZ 38 ES	GEGZ 38 ES 2RS	38.10	71.438	40.132	33.325	63.9	0.6	1.0	14	170	510	0.726
GEGZ 44 ES	GEGZ 44 ES 2RS	44.45	80.963	46.228	38.10	73.0	0.6	1.0	14	224	670	1.14
GEGZ 50 ES	GEGZ 50 ES 2RS	50.80	90.488	52.578	42.85	82.0	0.6	1.0	14	280	850	1.68
GEGZ 57 ES	GEGZ 57 ES 2RS	57.15	100.013	58.877	47.625	92.0	0.6	1.0	14	355	1060	2.01
GEGZ 63 ES	GEGZ 63 ES 2RS	63.50	111.125	64.643	52.375	100	1.0	1.0	14	415	1250	2.95
GEGZ 69 ES	GEGZ 69 ES 2RS	69.85	120.65	70.866	57.15	109.5	1.0	1.0	14	500	1500	3.63
GEGZ 76 ES	GEGZ 76 ES 2RS	76.20	130.175	76.759	61.90	119.0	1.0	1.0	14	585	1760	4.36
GEGZ 82 ES	GEGZ 82 ES 2RS	82.55	139.70	82.931	66.675	128.0	1.0	1.0	14	680	2040	5.31
GEGZ 88 ES	GEGZ 88 ES 2RS	88.90	149.225	90.424	71.425	137.0	1.0	1.0	14	780	2360	6.81
GEGZ 95 ES	GEGZ 95 ES 2RS	95.25	158.75	94.945	76.20	146.0	1.0	1.0	14	900	2650	8.85
GEGZ101 ES	GEGZ 101 ES 2RS	101.6	117.80	107.315	85.725	164.5	1.0	1.0	10	1120	3400	10.20

Angular contact spherical plain bearings GE..SX

角接触关节轴承

Maintenance required 需润滑

- Lubricating groove and holes in outer ring.
- Both outer and inner rings are properly phosphate treated.
- 外圈有润滑油槽和油孔。
- 内外圈表面磷化处理。



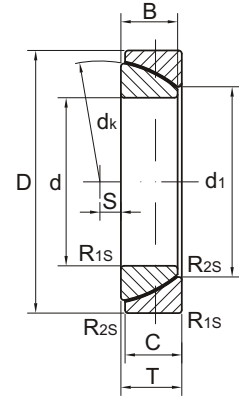
Part No. 型号	Dimensions 尺寸mm											Load ratings 负荷KN		Weight 重量Kg
	d	D	T	dk	d1	B	C	S	A	R1s min	R2s min	dyn. 动 Cd	stat. 静 Cs	
GE 25 SX	25	47	15	42.5	31.4	14	14	1	7.5	0.6	0.2	47.5	236	0.13
GE 28 SX	28	52	16	47	35.7	15	15	1	8	1.0	0.3	60	300	0.17
GE 30 SX	30	55	17	50	36.1	16	16	2	8.5	1.0	0.3	63	315	0.21
GE 32 SX	32	58	17	52	37.5	16	16	2	8.5	1.0	0.3	71	354	0.24
GE 35 SX	35	62	18	56	42.4	17	17	2	9	1.0	0.3	76.5	390	0.27
GE 40 SX	40	68	19	60	46.8	18	18	1.5	9.5	1.0	0.3	90	450	0.32
GE 45 SX	45	75	20	66	52.9	19	19	1.5	10	1.0	0.3	106	530	0.41
GE 50 SX	50	80	20	74	59.1	19	19	4	10	1.0	0.3	118	585	0.45
GE 55 SX	55	90	23	80	62	22	22	4	11.5	1.5	0.6	146	735	0.67
GE 60 SX	60	95	23	86	68.1	22	22	5	11.5	1.5	0.6	160	800	0.72
GE 65 SX	65	100	23	92	75.6	22	22	5	11.5	1.5	0.6	173	865	0.76
GE 70 SX	70	110	25	102	82.2	24	24	7	12.5	1.5	0.6	208	1040	1.0
GE 75 SX	75	115	25	107	84.4	25	24	7.9	12.5	1.5	0.6	220	1129	1.1
GE 80 SX	80	125	29	115	90.5	27	27	10	14.5	1.5	0.6	250	1250	1.5
GE 85 SX	85	130	29	122	94.8	29	26.5	9.4	14.5	1.5	0.6	284	1422	1.6
GE 90 SX	90	140	32	130	103.3	30	30	11	16	2.0	0.6	320	1600	2.1
GE 95 SX	95	145	32	135	104.4	32	29.5	10.8	16	2.0	0.6	335	1750	2.2
GE 100 SX	100	150	32	140	114.3	30	30	12	16	2.0	0.6	345	1760	2.3
GE 105 SX	105	160	35	148	113.8	35	32.5	12.3	17.5	2.0	0.6	423	2116	2.9
GE 110 SX	110	170	38	160	125.8	36	36	15	19	2.5	0.6	475	2360	3.6
GE 120 SX	120	180	38	170	135.4	36	36	17	19	2.5	0.6	510	2550	3.9
GE 130 SX	130	200	45	190	148	42	42	20	22.5	2.5	0.6	640	3200	5.9
GE 140 SX	140	210	45	200	160.6	42	42	20	22.5	2.5	0.6	680	3450	6.3
GE 150 SX	150	225	48	213	170.9	45	45	21	24	3.0	1.0	780	3900	7.7
GE 160 SX	160	240	51	225	181.4	48	48	21	25.5	3.0	1.0	900	4500	9.4
GE 170 SX	170	260	57	250	194.3	54	54	27	28.5	3.0	1.0	1100	5500	12.0
GE 180 SX	180	280	64	260	205.5	61	61	21	32	3.0	1.0	1320	6700	17.0
GE 190 SX	190	290	64	275	211.8	61	61	29	32	3.0	1.0	1370	6950	18.0
GE 200 SX	200	310	70	290	229.2	66	66	26	35	3.0	1.0	1560	7800	22.5

角接触关节轴承

Maintenance-free 无润滑

- Outer race bonded with PTFE fabric.
- Spherical surface of inner ring hard chrome plated.
- Outer ring is properly phosphate treated.

- 外圈表面粘贴有PTFE织物。
- 内圈球面镀铬。
- 外圈表面磷化处理。



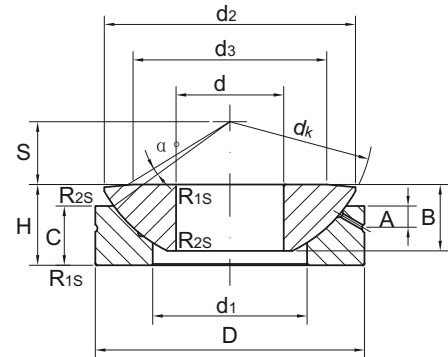
Part No. 型号	Dimensions 尺寸mm										Load ratings 负荷KN		Weight 重量Kg
	d	D	T	dk	d ₁	B	C	S	R _{1s} min	R _{2s} min	dyn. 动 C _d	stat. 静 C _s	
GE 25 SW	25	47	15	42.5	31.4	14	14	1.0	0.6	0.2	71	140	0.14
GE 28 SW	28	52	16	47	35.7	15	15	1.0	1.0	0.3	90	180	0.18
GE 30 SW	30	55	17	50	36.1	16	16	2.0	1.0	0.3	95	190	0.22
GE 32 SW	32	58	17	52	37.5	17	16	2.0	1.0	0.3	102	204	0.24
GE 35 SW	35	62	18	56	42.4	17	17	2.0	1.0	0.3	116	232	0.28
GE 40 SW	40	68	19	60	46.8	18	18	1.5	1.0	0.3	134	270	0.34
GE 45 SW	45	75	20	66	52.9	19	19	1.5	1.0	0.3	160	320	0.43
GE 50 SW	50	80	20	74	59.1	19	19	4.0	1.0	0.3	176	355	0.47
GE 55 SW	55	90	23	80	62	22	22	4.0	1.5	0.6	220	440	0.70
GE 60 SW	60	95	23	86	68.1	22	22	5.0	1.5	0.6	240	480	0.75
GE 65 SW	65	100	23	92	75.6	22	22	5.0	1.5	0.6	260	520	0.8
GE 70 SW	70	110	25	102	82.2	24	24	7.0	1.5	0.6	315	630	1.0
GE 75 SW	75	115	25	107	84.4	25	25	7.9	1.5	0.6	345	670	1.1
GE 80 SW	80	125	29	115	90.5	27	27	10	1.5	0.6	375	750	1.6
GE 85 SW	85	130	29	122	94.8	29	26.5	9.4	1.5	0.6	425	810	1.7
GE 90 SW	90	140	32	130	103.3	30	30	11	2.0	0.6	480	965	2.2
GE 95 SW	95	145	32	135	104.4	32	29.5	10.8	2.0	0.6	500	1000	2.3
GE 100 SW	100	150	32	140	114.3	30	30	12	2.0	0.6	520	1040	2.4
GE 105 SW	105	160	35	148	113.8	35	32.5	12.3	2.0	0.2	565	1250	2.9
GE 110 SW	110	170	38	160	125.8	36	36	15	2.5	0.6	710	1430	3.7
GE 120 SW	120	180	38	170	135.4	36	36	17	2.5	0.6	765	1530	4.0
GE 130 SW	130	200	45	190	148	42	42	20	2.5	0.6	965	1930	6.0
GE 140 SW	140	210	45	200	160.6	42	42	20	2.5	0.6	1020	2040	6.4
GE 150 SW	150	225	48	213	170.9	45	45	21	3.0	1.0	1180	2360	7.9
GE 160 SW	160	240	51	225	181.4	48	48	21	3.0	1.0	1340	2700	9.6
GE 170 SW	170	260	57	250	194.3	54	54	27	3.0	1.0	1660	3350	13.0
GE 180 SW	180	280	65	260	205.5	61	61	21	3.0	1.0	2000	4000	17.5
GE 190 SW	190	290	64	275	211.8	61	61	29	3.0	1.0	2080	4150	18.0
GE 200 SW	200	310	70	290	229.2	66	66	26	3.0	1.0	2360	4750	23.0

Spherical plain thrust bearings GE..AX

推力关节轴承

Maintenance required 需润滑

- Lubricating groove and holes in outer ring.
- Both outer and inner rings are properly phosphate treated.
- 外圈有润滑油槽和油孔。
- 内外圈表面磷化处理。



Part No. 型号	Dimensions 尺寸mm														Load ratings 负荷KN		Weight 重量Kg
	d	D	H	dk	d1	d2	D3	B	C	S	A	R1s min	R2s min	α	dyn. 动 Cd	stat. 静 Cs	
GE 10 AX	10	30	9.5	32	16.5	27.5	21	7.9	6	7	3	0.6	0.2	10	24	120	0.04
GE 12 AX	12	35	13	37	19.5	32	24	9.3	9	8	4	0.6	0.2	9	32.5	163	0.07
GE 15 AX	15	42	15	45	24	38.9	29	10.7	11	10	5	0.6	0.2	7	52	260	0.12
GE 17 AX	17	47	16	50	28	43.4	34	11.5	11.5	11	5	0.6	0.15	6	58.5	300	0.16
GE 20 AX	20	55	20	60	33.5	50	40	14.3	13	12.5	6	1.0	0.3	6	75	375	0.25
GE 25 AX	25	62	22.5	66	34.5	57.5	45	16	17	14	6	1.0	0.3	7	129	640	0.38
GE 30 AX	30	75	26	80	44	69	56	18	19.5	17.5	8	1.0	0.3	6	170	850	0.65
GE 35 AX	35	90	28	98	52	84	66	22	20	22	8	1.0	0.3	6	260	1290	1.0
GE 40 AX	40	105	32	114	59	98	78	27	22	24.5	9	1.0	0.3	6	375	1860	1.6
GE 45 AX	45	120	36.5	130	68	112	89	31	25	27.5	11	1.0	0.3	6	490	2450	2.4
GE 50 AX	50	130	42.5	140	69	122.5	98	33.5	32	30	10	1.0	0.3	5	655	3250	3.3
GE 60 AX	60	150	45	160	86	140	108	37	33	35	12.5	1.0	0.3	7	735	3650	4.5
GE 70 AX	70	160	50	170	95	149.5	121	40	36	35	13.5	1.0	0.3	6	800	4050	5.5
GE 80 AX	80	180	50	194	108	168	130	42	36	42.5	14.5	1.0	0.3	6	1040	5200	7.0
GE 100 AX	100	210	59	220	133	195.5	155	50	42	45	15	1.0	0.3	7	1200	6000	10.5
GE 120 AX	120	230	64	245	154	214	170	52	45	52.5	16.5	1.0	0.3	8	1250	6200	13.0
GE 140 AX	140	260	72	272	176	244	198	61	50	52.5	23	1.5	0.6	6	1630	8150	18.0
GE 160 AX	160	290	77	310	199	272	213	65	52	65	23	1.5	0.6	7	1900	9500	23.0
GE 180 AX	180	320	86	335	224	300	240	70	60	67.5	26	1.5	0.6	8	2120	10600	31.0
GE 200 AX	200	340	87	358	246	321	265	74	60	70	27	1.5	0.6	8	2360	11800	34.0

Spherical plain thrust bearings GE..AW

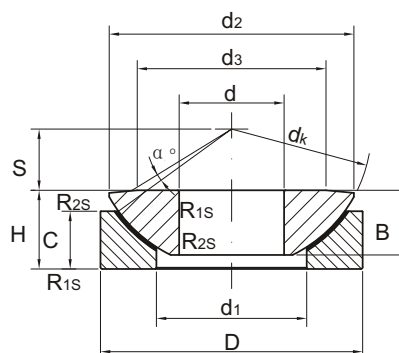


推力关节轴承

□ Maintenance-free 无润滑

- Outer race bonded with PTFE fabric.
- Spherical surface of inner ring hard chrome plated.
- Spherical surface of inner ring hard chrome plated.

- 外圈表面粘贴有PTFE织物。
- 内圈球面镀铬。
- 外圈表面磷化处理。



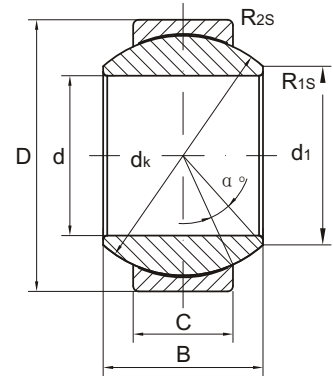
Part No. 型号	Dimensions 尺寸mm													Load ratings 负荷KN		Weight 重量Kg
	d	D	H	dk	d1	d2	d3	B	C	S	R1s min	R2s min	α	dyn. 动 Cd	stat. 静 Cs	
GE 10 AW	10	30	9.5	32	16.5	27.5	21	7.9	6.0	7.0	0.6	0.2	10	36	72	0.04
GE 12 AW	12	35	13	37	19.5	32	24	9.3	9.0	8.0	0.6	0.2	9.0	49	98	0.07
GE 15 AW	15	42	15	45	24	38.9	29	10.7	11	10	0.6	0.2	7.0	78	156	0.12
GE 17 AW	17	47	16	50	28	43.4	34	11.5	11.5	11	0.6	0.2	6.0	88	176	0.16
GE 20 AW	20	55	20	60	33.5	50	40	14.3	13	12.5	1.0	0.3	6.0	112	224	0.25
GE 25 AW	25	62	22.5	66	34.5	57.5	45	16	17	14.0	1.0	0.3	7.0	193	390	0.38
GE 30 AW	30	75	26	80	44	69	56	18	19.5	17.5	1.0	0.3	6.0	255	510	0.65
GE 35 AW	35	90	28	98	52	84	66	22	20	22	1.0	0.3	6.0	390	780	1.0
GE 40 AW	40	105	32	114	59	98	78	27	22	24.5	1.0	0.3	6.0	560	1120	1.6
GE 45 AW	45	120	36.5	130	68	112	89	31	25	27.5	1.0	0.3	6.0	735	1460	2.4
GE 50 AW	50	130	42.5	140	69	122.5	98	33.5	32	30	1.0	0.3	5.0	980	1960	3.3
GE 60 AW	60	150	45	160	86	140	108	37	33	35	1.0	0.3	7.0	1100	2200	4.5
GE 70 AW	70	160	50	170	95	149.5	121	40	36	35	1.0	0.3	6.0	1200	2400	5.5
GE 80 AW	80	180	50	194	108	168	130	42	36	42.5	1.0	0.3	6.0	1560	3100	7.0
GE 100 AW	100	210	59	220	133	195.5	155	50	42	45	1.0	0.3	7.0	1800	3600	10.5
GE 120 AW	120	230	64	245	154	214	170	52	45	52.5	1.0	0.3	8.0	1860	3750	13
GE 140 AW	140	260	72	272	176	244	198	61	50	52.5	1.5	0.6	6.0	2450	4900	18
GE 160 AW	160	290	77	310	199	272	213	65	52	65	1.5	0.6	7.0	2850	5700	23
GE 180 AW	180	320	86	335	224	300	240	70	60	67.5	1.5	0.6	8.0	3200	6400	31
GE 200 AW	200	340	87	358	246	321	265	74	60	70	1.5	0.6	8.0	3550	7100	34
GE 220 AW	220	370	97	388	265	350	289	82	67	75	1.5	0.6	7.0	4400	8800	44.5
GE 240 AW	240	400	103	420	294	382	314	87	73	77.5	1.5	0.6	6.0	5200	10400	55
GE 260 AW	260	430	115	449	317	409	336	95	80	82.5	1.5	0.6	7.0	5400	10800	69
GE 280 AW	280	460	110	480	337	445	366	100	85	80	3.0	0.6	4.0	8500	17000	82
GE 300 AW	300	480	110	490	356	460	388	100	90	80	3.0	1.0	3.5	8650	17300	87
GE 320 AW	320	520	116	540	380	500	405	105	91	95	4.0	1.0	4.0	10600	21200	109
GE 340 AW	340	540	116	550	380	510	432	105	91	95	4.0	1.1	4.0	11800	23600	114
GE360 AW	360	560	125	575	400	535	452	115	95	95	4.0	1.1	4.0	12700	25500	129

Radial spherical plain bearings GE..UK

向心关节轴承

Maintenance-free 无润滑

- Outer ring pressed around inner ring.
- Outer race lined with CSB-FR PTFE composite material.
- Spherical surface of inner ring hard chrome plated.
- 外圈挤压成型。
- 外圈球面粘贴有CSB-FR PTFE复合材料。
- 内圈球面镀铬。



Part No. 型号	Dimensions 尺寸mm									Load ratings 负荷KN		Weight 重量Kg
	d	D	B	C	d ₁ min	dk	R _{1s} min	R _{2s} min	α ≈	dyn. 动 C _d	stat. 静 C _s	
GE 6 UK	6	14	6	4	8	10	0.3	0.3	13	3.6	9.1	0.004
GE 8 UK	8	16	8	5	10	13	0.3	0.3	15	5.8	14	0.008
GE 10 UK	10	19	9	6	13	16	0.3	0.3	12	8.6	21	0.011
GE 12 UK	12	22	10	7	15	18	0.3	0.3	10	11	28	0.015
GE 15 UK	15	26	12	9	18	22	0.3	0.3	8	18	45	0.027
GE 17 UK	17	30	14	10	20	25	0.3	0.3	10	22	56	0.041
GE 20 UK	20	35	16	12	24	29	0.3	0.3	9	31	78	0.066
GE 25 UK	25	42	20	16	29	35.5	0.6	0.6	7	51	127	0.119
GE 30 UK	30	47	22	18	34	40.7	0.6	0.6	6	65	166	0.163

Radial spherical plain bearings GE..UK 2RS

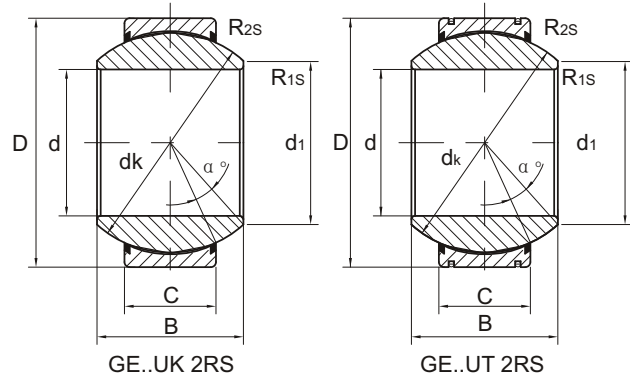


向心关节轴承

Maintenance-free, sealed 无润滑，带密封

- Outer ring with single split in axial direction.
- Outer race bonded with PTFE fabric.
- Outer ring with lip seals in both sides.
- Spherical surface of inner ring hard chrome plated.
- Outer rings is properly phosphate treated.

- 外圈有一道轴向缝。
- 外圈球面粘贴有PTFE织物。
- 外圈两面带密封圈。
- 内圈球面镀铬。
- 外圈表面磷化处理。



Part No. 型号	Dimensions 尺寸mm									Load ratings 负荷KN		Weight 重量Kg
	d	D	B	C	d ₁ min	dk	R _{1s} min	R _{2s} min	α ≈	dyn. 动 C _d	stat. 静 C _s	
GE 15 UK 2RS	15	26	12	9	18	22	0.3	0.3	9	26	52	0.035
GE 17 UK 2RS	17	30	14	10	20	25	0.3	0.3	10	48.70	81.2	0.041
GE 20 UK 2RS	20	35	16	12	24	29	0.3	0.3	9	67.5	112	0.066
GE 25 UK 2RS	25	42	20	16	29	35.5	0.6	0.6	7	127	212	0.119
GE 30 UK 2RS	30	47	22	18	34	40.7	0.6	0.6	6	165	275	0.153
GE 35 UK 2RS	35	55	25	20	39	47	0.6	1.0	6	210	350	0.233
GE 40 UK 2RS	40	62	28	22	45	53	0.6	1.0	7	277	462	0.306
GE 45 UK 2RS	45	68	32	25	50	60	0.6	1.0	7	360	600	0.427
GE 50 UK 2RS	50	75	35	28	55	66	0.6	1.0	6	442	737	0.546
GE 60 UK 2RS	60	90	44	36	66	80	1.0	1.0	6	690	1150	1.04
GE 70 UK 2RS	70	105	49	40	77	92	1.0	1.0	6	885	1475	1.55
GE 80 UK 2RS	80	120	55	45	88	105	1.0	1.0	6	1125	1875	2.31
GE 90 UK 2RS	90	130	60	50	98	115	1.0	1.0	5	1380	2300	2.75
GE 100 UK 2RS	100	150	70	55	109	130	1.0	1.0	7	1717	2862	4.45
GE 110 UK 2RS	110	160	70	55	121	140	1.0	1.0	6	1845	3075	4.82
GE 120 UK 2RS	120	180	85	70	135	160	1.0	1.0	6	2685	4475	8.05
GE 140 UK 2RS	140	210	90	70	155	180	1.0	1.0	7	3015	5025	11.02
GE 160 UK 2RS	160	230	105	80	170	200	1.0	1.0	8	3840	6400	14.01
GE 180 UK 2RS	180	260	105	80	199	225	1.1	1.1	6	4320	7200	18.65
GE 200 UK 2RS	200	290	130	100	213	250	1.1	1.1	7	6000	10000	28.03
GE 220 UK 2RS	220	320	135	100	239	275	1.1	1.1	8	6600	11000	35.51
GE 240 UK 2RS	240	340	140	100	265	300	1.1	1.1	8	7200	12000	39.91
GE 260 UK 2RS	260	370	150	110	288	325	1.1	1.1	7	8550	14250	51.54
GE 280 UK 2RS	280	400	155	120	313	350	1.1	1.1	6	10050	16750	65.06
GE 300 UK 2RS	300	430	165	120	336	375	1.1	1.1	7	10800	18000	78.07

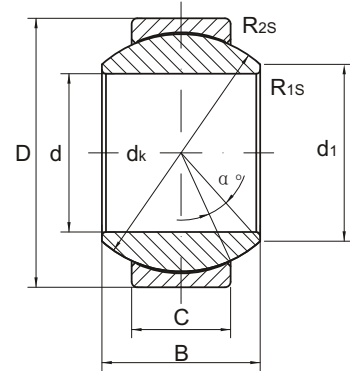
Radial spherical plain bearings GE..FW

向心关节轴承

□ Maintenance-free, heavy-duty 无润滑，重负载

- Outer ring pressed around inner ring.
- Outer race lined with CSB-FR PTFE composite material.
- Spherical surface of inner ring hard chrome plated.

- 外圈挤压成型。
- 外圈球面粘贴有CSB-FR PTFE复合材料。
- 内圈球面镀铬。



Part No. 型号	Dimensions 尺寸mm									Load ratings 负荷KN		Weight 重量Kg
	d	D	B	C	d ₁ min	d _k	R _{1s} min	R _{2s} min	α ≈	dyn. 动 C _d	stat. 静 C _s	
GE 6 FW	6	16	9	5	9	13	0.3	0.3	21	5.8	14	0.008
GE 8 FW	8	19	11	6	11	16	0.3	0.3	21	8.6	21	0.014
GE 10 FW	10	22	12	7	13	18	0.3	0.3	18	11	28	0.021
GE 12 FW	12	26	15	9	16	22	0.3	0.3	18	18	45	0.033
GE 15 FW	15	30	16	10	19	25	0.3	0.3	16	22	56	0.049
GE 17 FW	17	35	20	12	21	29	0.3	0.3	19	31	78	0.083
GE 20 FW	20	42	25	16	24	35.5	0.3	0.3	17	51	127	0.153
GE 25 FW	25	47	28	18	29	40.7	0.6	0.6	17	65	166	0.203
GE 30 FW	30	55	32	20	34	47	0.6	0.6	17	83	212	0.304

Radial spherical plain bearings GE..FW 2RS

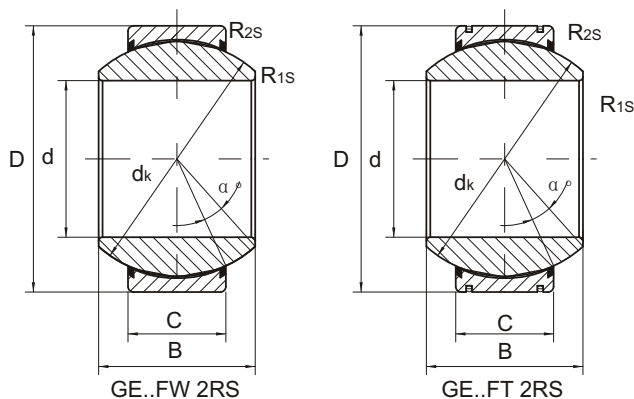


向心关节轴承

□ Maintenance-free, heavy-duty, sealed
需润滑，带密封，重负载

- Outer ring with single split in axial direction.
- Outer race lined with PTFE fabric.
- Outer ring with lip seals in both sides.
- Spherical surface of inner ring hard chrome plated.
- Outer ring properly phosphate treated.

- 外圈有一道轴向缝。
- 外圈球面粘贴有PTFE织物。
- 外圈两面带密封圈。
- 内圈球面镀铬。
- 外圈表面磷化处理。



Part No. 型号	Dimensions 尺寸mm								Load ratings 负荷KN		Weight 重量Kg
	d	D	B	C	dk	R _{1s} min	R _{2s} min	α ≈	dyn. 动 C _d	stat. 静 C _s	
GE 15 FW 2RS	15	30	16	10	25	0.3	0.3	16	22.4	56	0.046
GE 17 FW 2RS	17	35	20	12	29	0.3	0.3	19	31.5	78	0.078
GE 20 FW 2RS	20	42	25	16	35.5	0.6	0.6	17	51	127	0.15
GE 25 FW 2RS	25	47	28	18	40.7	0.6	0.6	17	65.5	166	0.19
GE 30 FW 2RS	30	55	32	20	47	0.6	1.0	17	210	350	0.29
GE 35 FW 2RS	35	62	35	22	53	0.6	1.0	16	277	462	0.39
GE 40 FW 2RS	40	68	40	25	60	0.6	1.0	17	360	600	0.52
GE 45 FW 2RS	45	75	43	28	66	0.6	1.0	15	442	737	0.68
GE 50 FW 2RS	50	90	56	36	80	0.6	1.0	17	690	1150	1.40
GE 60 FW 2RS	60	105	63	40	92	1.0	1.0	17	885	1475	2
GE 70 FW 2RS	70	120	70	45	105	1.0	1.0	16	1125	1875	2.90
GE 80 FW 2RS	80	130	75	50	115	1.0	1.0	14	1380	2300	3.50
GE 90 FW 2RS	90	150	85	55	130	1.0	1.0	15	1717	2862	5.40
GE 100 FW 2RS	100	160	85	55	140	1.0	1.0	14	1845	3075	6
GE 110 FW 2RS	110	180	100	70	160	1.0	1.0	12	2685	4475	9.7
GE 120 FW 2RS	120	210	115	70	180	1.0	1.0	16	3015	5025	14
GE 140 FW 2RS	140	230	130	80	200	1.0	1.0	16	3840	6400	19
GE 160 FT 2RS	160	260	135	80	225	1.1	1.1	16	4320	7200	24.7
GE 180 FT 2RS	180	290	155	100	250	1.1	1.1	14	6000	10000	35.9
GE 200 FT 2RS	200	320	165	100	275	1.1	1.1	15	6600	11000	45.3
GE 220 FT 2RS	220	340	175	100	300	1.1	1.1	16	7200	12000	51.1
GE 240 FT 2RS	240	370	190	110	325	1.1	1.1	15	8550	14250	65.1
GE 260 FT 2RS	260	400	205	120	350	1.1	1.1	15	10050	16750	82.4
GE 280 FT 2RS	280	430	210	120	375	1.1	1.1	15	10800	18000	97.2

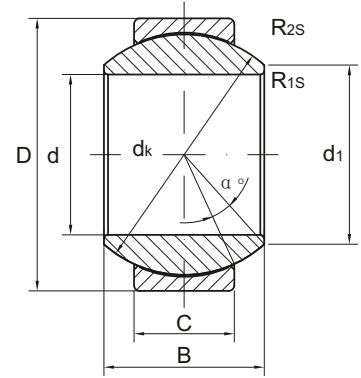
Radial spherical plain bearings SGE..UK

向心关节轴承

□ Maintenance-free, heavy-duty, stainless.
 无润滑，重负载，不锈钢

-Design features same as series GE..UK, but in stainless steel.

-结构特点与GE..UK相同，但材料为不锈钢。



Part No. 型号	Dimensions 尺寸mm									Load ratings 负荷KN		Weight 重量Kg
	d	D	B	C	d ₁ min	d _k	R _{1s} min	R _{2s} min	α ≈	dyn. 动 C _d	stat. 静 C _s	
SGE 6 UK	6	14	6	4	8	10	0.3	0.3	13	3.6	9.1	0.004
SGE 8 UK	8	16	8	5	10	13	0.3	0.3	15	5.8	14	0.008
SGE 10 UK	10	19	9	6	13	16	0.3	0.3	12	8.6	21	0.011
SGE 12 UK	12	22	10	7	15	18	0.3	0.3	10	11	28	0.015
SGE 15 UK	15	26	12	9	18	22	0.3	0.3	8	18	45	0.027
SGE 17 UK	17	30	14	10	20	25	0.3	0.3	10	22	56	0.041
SGE 20 UK	20	35	16	12	24	29	0.3	0.3	9	31	78	0.066
SGE 25 UK	25	42	20	16	29	35.5	0.6	0.6	7	51	127	0.119
SGE 30 UK	30	47	22	18	34	40.7	0.6	0.6	6	65	166	0.163

Radial spherical plain bearings SGE..FW.

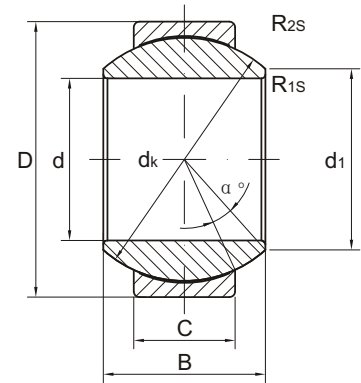


向心关节轴承

Maintenance-free, heavy-duty, stainless.
无润滑，重负载，不锈钢

-Design features same as series GE..FW, but in stainless steel.

-结构特点与GE..FW相同，但材料为不锈钢。



Part No. 型号	Dimensions 尺寸mm									Load ratings 负荷KN		Weight 重量Kg
	d	D	B	C	d ₁ min	dk	R _{1s} min	R _{2s} min	α ≈	dyn. 动 C _d	stat. 静 C _s	
SEG 6 FW	6	16	9	5	9	13	0.3	0.3	21	5.8	14	0.008
SEG 8 FW	8	19	11	6	11	16	0.3	0.3	21	8.6	21	0.014
SEG 10 FW	10	22	12	7	13	18	0.3	0.3	18	11	28	0.021
SEG 12 FW	12	26	15	9	16	22	0.3	0.3	18	18	45	0.033
SEG 15 FW	15	30	16	10	19	25	0.3	0.3	16	22	56	0.049
SEG 17 FW	17	35	20	12	21	29	0.3	0.3	19	31	78	0.083
SEG 20 FW	20	42	25	16	24	35.5	0.3	0.3	17	51	127	0.153
SEG 25 FW	25	47	28	18	29	40.7	0.6	0.6	17	65	166	0.203
SEG 30 FW	30	55	32	20	34	47	0.6	0.6	17	83	212	0.304

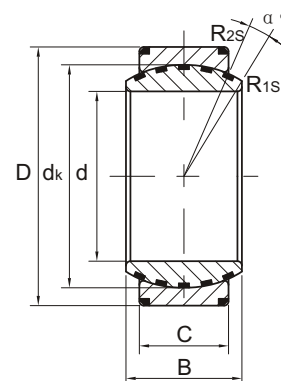
Radial spherical plain bearings GE..XF/Q

向心关节轴承

□ Maintenance-free, heavy-duty. 无润滑，重负载

-As series GE..ES, but the inner ring for copper alloy, with Solid Lubricant.

-与GE..ES相同，但内圈为铜合金，镶有固体润滑剂。



Part No. 型号	Dimensions 尺寸mm								Load ratings 负荷KN		Weight 重量Kg
	d	D	B	C	dk	R1s min	R2s min	α ≈	dyn. 动 Cd	stat. 静 Cs	
GE 100 XF/Q	100	150	70	55	130	1.0	1.0	7	710	1070	4.36
GE 110 XF/Q	110	160	70	55	140	1.0	1.0	6	770	1150	4.74
GE 120 XF/Q	120	180	85	70	160	1.0	1.0	6	1120	1680	7.94
GE 140 XF/Q	140	210	90	70	180	1.0	1.0	7	1260	1890	11.0
GE 160 XF/Q	160	230	105	80	200	1.0	1.0	8	1600	2400	13.9
GE 180 XF/Q	180	260	105	80	225	1.1	1.1	6	1800	2700	18.2
GE 200 XF/Q	200	290	130	100	250	1.1	1.1	7	2500	3750	28.0
GE 220 XF/Q	220	320	135	100	275	1.1	1.1	8	2750	4120	35.0
GE 240 XF/Q	240	340	140	100	300	1.1	1.1	8	3000	4500	38.7
GE 260 XF/Q	260	370	150	110	325	1.1	1.1	7	3570	5360	50.3
GE 280 XF/Q	280	400	155	120	350	1.1	1.1	6	4200	6300	63.5
GE 300 XF/Q	300	430	165	120	375	1.1	1.1	7	4500	6750	75.8

Radial spherical plain bearings GEG..XF/Q

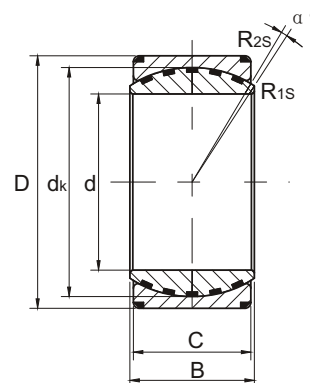


向心关节轴承

□ Maintenance free, heavy-duty 无润滑，重负载

-As series GEG..ES, but the inner ring for copper alloy, with solid lubricants.

-与GEG..ES相同，但内圈为铜合金，镶有固体润滑剂。



Part No. 型号	Dimensions 尺寸mm								Load ratings 负荷KN		Weight 重量Kg
	d	D	B	C	dk	R _{1s} min	R _{2s} min	α ≈	dyn. 动 C _d	stat. 静 C _s	
GEG 100 XF/Q	100	150	71	67	135	1.0	1.0	2	900	1350	5.06
GEG 110 XF/Q	110	160	78	74	145	1.0	1.0	2	1070	1600	6.00
GEG 120 XF/Q	120	180	85	80	160	1.0	1.0	2	1280	1920	8.71
GEG 140 XF/Q	140	210	100	95	185	1.0	1.0	2	1750	2630	14.0
GEG 160 XF/Q	160	230	115	109	210	1.0	1.0	2	2280	3430	17.9
GEG 180 XF/Q	180	260	128	122	240	1.1	1.1	2	2920	4390	25.8
GEG 200 XF/Q	200	290	140	134	260	1.1	1.1	2	3480	5220	35.6
GEG 220 XF/Q	220	320	155	148	290	1.1	1.1	2	4290	6430	48.1
GEG 240 XF/Q	240	340	170	162	310	1.1	1.1	2	5020	7530	56.5
GEG 260 XF/Q	260	370	185	175	340	1.1	1.1	2	5950	8920	73.0
GEG 280 XF/Q	280	400	200	190	370	1.1	1.1	2	7030	10540	93.2
GEG 300 XF/Q	300	430	212	200	390	1.1	1.1	2	7800	11700	114
GEG 320 XF/Q	320	460	230	218	414	1.1	3	2	9020	13530	143
GEG 340 XF/Q	340	480	243	230	434	1.1	3	2	9980	14970	158
GEG 360 XF/Q	360	520	258	243	474	1.1	4	2	11510	17270	206
GEG 380 XF/Q	380	540	272	258	494	1.5	4	2	12740	19110	228
GEG 400 XF/Q	400	580	280	265	514	1.5	4	2	13620	20430	281

Radial spherical plain bearings with two-piece GE.XS/K; GEK.XS 2RS

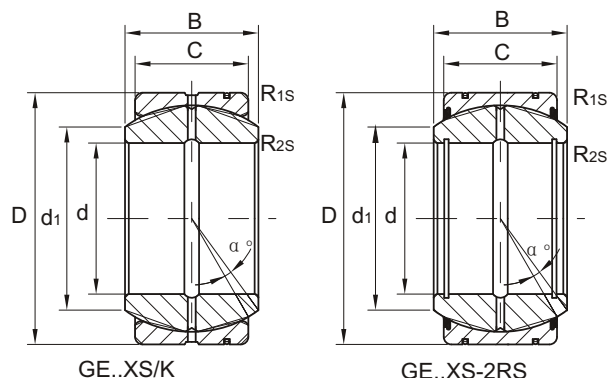
剖分外圈向心关节轴承

-Outer ring with two axial pieces.
 -Lubrication grooves and holes in the outer and inner rings of type GE..XS/K, both outer and inner rings are properly phosphate treated.
 -The type GEK..XS 2RS outer ring with two seals, lubrication grooves and holes in the inner rings, the spherical surface with chromium plating.

-外圈剖分。

-GE..XS/K有润滑槽，油孔，零件表面磷化处理。

-GEK..XS 2RS型的外圈两面带密封圈，内圈有润滑油槽和油孔，球面镀铬。



Part No. 型号	Dimensions 尺寸mm								Load ratings 负荷KN		Weight 重量Kg
	d	D	B	C	d ₁ min	R _{1s} min	R _{2s} min	α ≈	dyn. 动 C _d	stat. 静 C _s	
GE 12 XS/K	12	22	11	9	14	0.5	0.5	7	13	68	0.019
GE 15 XS/K	15	26	13	11	17.5	0.5	0.5	6	20	102	0.028
GE 20 XS/K	20	32	16	14	23	0.5	0.5	4	33	106	0.053
GE 22 XS/K	22	37	19	16	25.5	0.5	0.5	6	43	217	0.085
GE 25 XS/K	25	42	21	18	29	0.5	0.5	5	55	275	0.116
GE 30 XS/K	30	50	27	23	36	1.0	1.0	6	87	439	0.225
GE 35 XS/K	35	55	30	26	40	1.0	1.0	5	110	552	0.302
GE 40 XS/K	40	62	33	28	44	1.0	1.0	6	130	654	0.375
GE 45 XS/K	45	72	36	31	50.5	1.0	1.0	5	163	816	0.598
GE 50 XS/K	50	80	42	36	58.5	1.0	1.0	5	220	1100	0.869
GE 55 XS/K	55	90	47	40	64.5	1.0	1.0	6	272	1360	1.26
GE 60 XS/K	60	100	53	45	72.5	1.0	1.0	6	344	1720	1.72
GE 65 XS/K	65	105	55	47	76	1.0	1.0	5	375	1870	2.05
GE 70 XS/K	70	110	58	50	81.5	1.0	1.0	5	425	2125	2.23
GE 75 XS/K	75	120	64	55	89.5	1.0	1.0	5	510	2750	3.01
GE 80 XS/K	80	130	70	60	97.5	1.0	1.0	5	610	3060	3.98
GE 85 XS/K	85	135	74	63	100.5	1.0	1.0	6	669	3340	4.31
GE 90 XS/K	90	140	76	65	105.5	1.0	1.0	5	718	3590	4.72
GE 95 XS/K	95	150	82	70	113.5	1.0	1.0	5	833	4165	6.05
GE 100 XS/K	100	160	88	75	121.5	1.5	1.5	5	956	4780	7.43
GE 110 XS/K	110	170	93	80	130	1.5	1.5	5	1080	5440	8.54
GE 115 XS/K	115	180	98	85	132.5	1.5	1.5	5	1190	5960	10.3
GE 120 XS/K	120	190	105	90	140	1.5	1.5	6	1330	6690	12.4
GE 130 XS/K	130	200	110	95	148.5	1.5	1.5	5	1490	7460	13.8
GE 150 XS/K	150	220	120	105	166	1.5	1.5	5	1820	9140	17.1
GE 25 XS 2RS	25	68	40	28	30	0.6	1.0	19	117	590	0.516
GE 30 XS 2RS	30	70	47	32	37.3	0.6	1.0	19	163	813	0.785
GE 35 XS 2RS	35	80	54	38	44.5	0.6	1.0	17	226	1130	1.23
GE 40 XS 2RS	40	90	64	44	48	0.6	1.0	19	298	1490	1.83
GE 45 XS 2RS	45	100	72	52	54	0.6	1.0	17	398	1990	2.56
GE 50 XS 2RS	50	110	80	58	60	1.0	1.0	17	493	2450	3.43
GE 55 XS 2RS	55	125	90	64	63.2	1.0	1.0	19	598	2990	5.02
GE 60 XS 2RS	60	135	98	72	69.3	1.0	1.0	17	732	3660	6.43

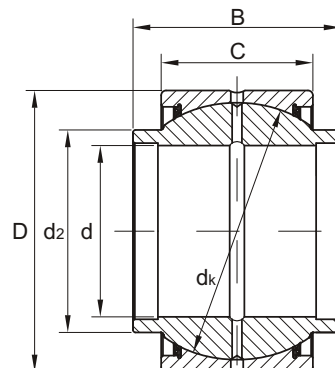
Radial spherical plain bearings GEWK..ES 2RS

向心关节轴承

Maintenance required 需润滑

- Outer ring with single split in axial direction.
- Inner ring with cylindrical extensions at both sides.
- Lubricating grooves and holes in the outer and inner rings.
- Outer ring with lip seals in both sides.
- Both outer and inner rings are properly phosphate treated.

- 外圈有一道轴向缝。
- 内圈两端有伸出圆筒。
- 内圈和外圈有润滑油槽和油孔。
- 外圈两面带密封圈。
- 内外圈表面磷化处理。



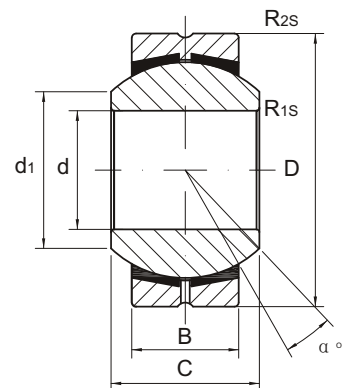
Part No. 型号	Dimensions 尺寸mm						Load ratings 负荷KN		Weight 重量Kg
	d	D	B	C	d ₂	d _k	dyn. 动 C _d	stat. 静 C _s	
GEWK 45 ES 2RS	45	75	57	42	54	70	200	720	1.07
GEWK 60 ES 2RS	60	100	72	56	74.5	92	315	1560	2.33
GEWK 70 ES 2RS	70	115	85	62	83	105	400	2000	2.14
GEWK 80 ES 2RS/UK2	80	130	85	50	92	115	490	2450	3.47
GEWK 80 ES 2RS/UK3	80	150	85	55	100	130	610	3050	5.37
GEWK 80 ES 2RS/UK5	80	130	97	50	96	115	490	2450	3.74
GEWK 80 ES 2RS/UK6	80	130	81.5	50	96	115	490	2450	3.43
GEWK 90 ES 2RS/UK2	90	150	95	55	105	130	610	3050	5.41
GEWK 90 ES 2RS/UK4	90	150	107	80	114	130	610	3050	6.04
GEWK 100 ES 2RS	100	150	107	80	111	130	610	3050	4.81
GEWK 120 ES 2RS	120	180	123	70	137	160	950	4750	6.33

Radial spherical plain bearings GEBK..S

向心关节轴承

Maintenance required 需润滑

- Outer race lined with bronze liner.
- Lubricating groove and holes in outer ring.
- 外圈球面镶有青铜衬垫。
- 外圈有润滑油槽和油孔。



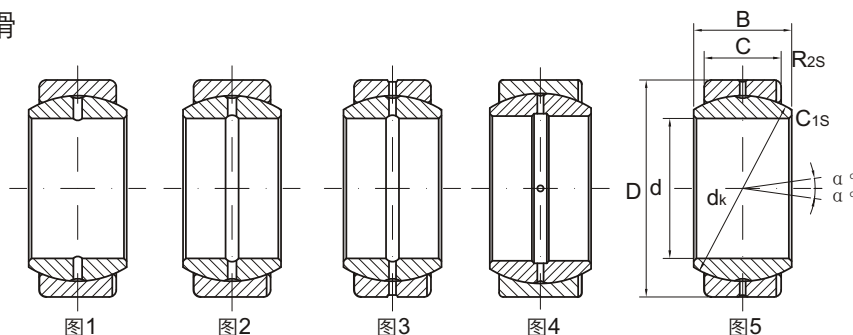
Part No. 型号	Dimensions 尺寸mm								Load ratings 负荷KN		Weight 重量Kg
	d	D	B	C	d ₁ min	R _{1s} min	R _{2s} min	α ≈	dyn. 动 C _d	stat. 静 C _s	
GEBK 5 S	5	16	8	6.0	7.7	0.3	0.3	13	3.3	7.8	0.009
GEBK 6 S	6	18	9	6.75	9.0	0.3	0.3	13	4.3	9.8	0.013
GEBK 8 S	8	22	12	9.0	10.4	0.3	0.3	14	6.8	16	0.024
GEBK 10 S	10	26	14	10.5	12.9	0.3	0.6	14	10	23	0.039
GEBK 12 S	12	30	16	12	15.4	0.3	0.6	13	13	31	0.058
GEBK 14 S	14	34	19	13.5	16.9	0.3	0.6	16	17	40	0.084
GEBK 16 S	16	38	21	15	19.4	0.3	0.6	15	21	50	0.111
GEBK 18 S	18	42	23	16.5	21.9	0.3	0.6	15	26	61	0.16
GEBK 20 S	20	46	25	18	24.4	0.3	0.6	15	31	73	0.21
GEBK 22 S	22	50	28	20	25.8	0.3	0.6	15	38	88	0.26
GEBK 25 S	25	56	31	22	29.6	0.6	0.6	15	47	110	0.39
GEBK 30 S	30	66	37	25	34.8	0.6	0.6	17	63	148	0.61

Radial spherical plain bearings WCN..

向心关节轴承

☐ Maintenance required 需润滑

- Russian design.
- Inner and outer ring not phosphate treated.
- 结构为俄式结构。
- 内外表面不磷化处理。



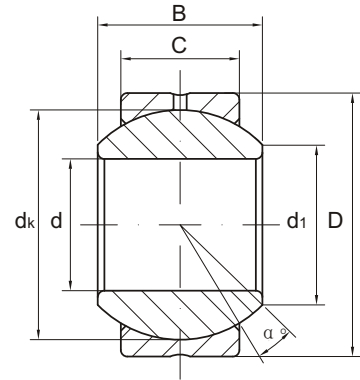
Part No. 型号	Dimensions 尺寸mm								Designation 结构形式	Weight 重量Kg
	d	D	B	C	dk	C _{1s} min	R _{2s} min	α ≈		
WCN 6	6	14	6	4	10	0.4	2	13	1	0.004
WCN 8	8	17	8	5	13	0.4	2	15	1	0.008
WCN 10	10	20	9	6	16	0.4	2	12	2	0.013
WCN 12	12	22	10	7	18	0.4	2	10	2	0.016
WCN 15	15	28	12	8	23	0.5	2	11	2	0.028
WCN 17	17	32	14	10	26	0.5	2	10	2	0.044
WCN 20	20	35	16	12	29	0.5	2	9	2	0.061
WCN 25	25	42	20	16	35	0.5	2	7	2	0.11
WCN 30	30	47	22	18	40	0.5	2	6.5	2	0.14
WCN 35	35	55	26	21	47	0.5	2	7	2	0.22
WCN 40	40	62	28	22	53	0.5	2	7	2	0.30
WCN 45	45	70	32	25	60	0.5	2	7	3	0.44
WCN 50	50	75	35	28	66	0.5	2	7	3	0.54
WCN 55	55	85	40	32	75	0.5	2	7	2	0.75
WCN 60	60	90	44	34	80	0.8	2.5	8	2	0.97
WCN 70	70	105	49	40	92	0.8	2.5	6.5	4	1.50
WCN 80	80	125	76	70	114	0.8	2.5	4	2	3.80
WCN 90	90	130	60	50	115	0.8	2.5	5.5	5	2.70
WCN 100	100	150	70	55	130	1.0	3	7.5	4	4.30
WCN 110	110	160	70	55	140	1.0	3	6.5	2	4.70
WCN 120	120	180	85	70	160	1.0	3	6	4	8.00
WCN 130	130	200	95	52	175	1.0	3	15	2	10.50

Radial spherical plain bearings G..PB

向心关节轴承

Maintenance required 需润滑

- Outer ring in bronze.
- Outer ring pressed around inner ring.
- Lubricating holes in outer ring.
- 外圈材料为青铜。
- 外圈挤压成型。
- 外圈有润滑油孔。



Part No. 型号	Dimensions 尺寸mm							Load ratings 负荷KN		Weight 重量Kg
	d	d ₁	B	C	D	d _k	α ≈	dyn. 动 C _d	stat. 静 C _s	
G 5 PB	5	7.7	8	6	13	11.112	13	6.4	15	0.007
G 6 PB	6	8.9	9	6.75	16	12.70	13	8.3	19	0.01
G 8 PB	8	10.3	12	9	19	15.875	13	13	31	0.016
G 10 PB	10	12.9	14	10.5	22	19.05	13	19	43	0.031
G 12 PB	12	15.4	16	12	26	22.225	13	24	58	0.065
G 14 PB	14	16.8	19	13.5	28	25.40	15	31	74	0.09
G 16 PB	16	19.3	21	15	32	28.575	15	39	92	0.10
G 18 PB	18	21.8	23	16.5	35	31.75	15	48	112	0.125
G 20 PB	20	24.3	25	18	40	34.925	15	57	135	0.18
G 22 PB	22	25.8	28	20	42	38.10	15	71	164	0.21
G 25 PB	25	29.5	31	22	47	42.86	15	87	203	0.295
G 30 PB	30	34.8	37	25	55	50.80	15	116	273	0.425
G 35 PB	35	37.7	43	28	62	57.15	16	147	344	0.50
G 40 PB	40	45.2	49	33	75	66.67	17	202	473	0.90
G 50 PB	50	56.6	60	45	90	82.50	12	341	798	1.64

Radial spherical plain bearings S..PB

向心关节轴承

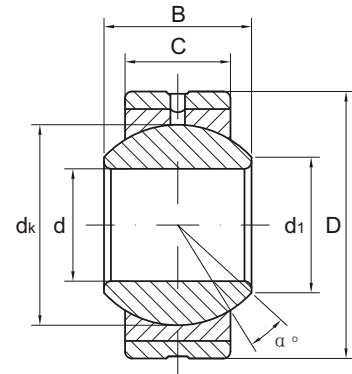
Maintenance required 需润滑

-Made up of G..PB and steel sleeve.

-Lubricating groove and holes in outer ring.

-由G..PB和钢衬套组成。

-外圈有润滑油槽和油孔。



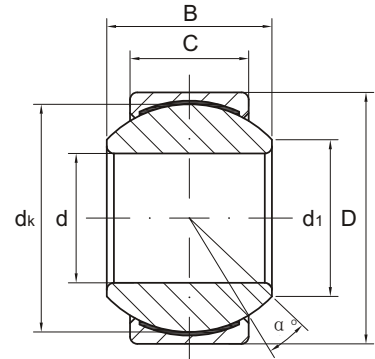
Part No. 型号	Dimensions 尺寸mm							Load ratings 负荷KN		Weight 重量Kg
	d	d ₁	B	C	D	d _k	α ≈	dyn. 动 C _d	stat. 静 C _s	
S 5 PB	5	7.7	8	6	16	11.112	13	6.4	15	0.009
S 6 PB	6	8.9	9	6.75	18	12.70	13	8.3	19	0.013
S 8 PB	8	10.3	12	9	22	15.875	13	13	31	0.024
S 10 PB	10	12.9	14	10.5	26	19.05	13	19	43	0.04
S 12 PB	12	15.4	16	12	30	22.225	13	24	58	0.08
S 14 PB	14	16.8	19	13.5	34	25.40	15	31	74	0.11
S 16 PB	16	19.3	21	15	38	28.575	15	39	92	0.13
S 18 PB	18	21.8	23	16.5	42	31.75	15	48	112	0.17
S 20 PB	20	24.3	25	18	46	34.925	15	57	135	0.23
S 22 PB	22	25.8	28	20	50	38.10	15	71	164	0.28
S 25 PB	25	29.5	31	22	56	42.86	15	87	203	0.39
S 30 PB	30	34.8	37	25	66	50.80	15	116	273	0.61

Radial spherical plain bearings G..PW

向心关节轴承

Maintenance-free 无润滑

- Outer ring in brass.
- Dimensions same as G..PB.
- Outer race lined with CSB-FR PTFE composite material.
- 外圈材料为黄铜。
- 尺寸与G..PB相同。
- 外圈球面粘贴CSB-FR PTFE复合材料。



Part No. 型号	Dimensions 尺寸mm							Load ratings 负荷KN		Weight 重量Kg
	d	d ₁	B	C	D	d _k	α ≈	dyn. 动 C _d	stat. 静 C _s	
G 5 PW	5	7.7	8	6	13	11.112	13	6.2	17	0.007
G 6 PW	6	8.9	9	6.75	16	12.70	13	7.5	22	0.010
G 8 PW	8	10.3	12	9	19	15.875	13	12	36	0.016
G 10 PW	10	12.9	14	10.5	22	19.05	13	17	50	0.031
G 12 PW	12	15.4	16	12	26	22.225	13	22	67	0.065
G 14 PW	14	16.8	19	13.5	28	25.40	15	28	86	0.09
G 16 PW	16	19.3	21	15	32	28.575	15	35	107	0.10
G 18 PW	18	21.8	23	16.5	35	31.75	15	47	131	0.125
G 20 PW	20	24.3	25	18	40	34.925	15	51	157	0.18
G 22 PW	22	25.8	28	20	42	38.10	15	62	191	0.21
G 25 PW	25	29.5	31	22	47	42.86	15	77	236	0.295
G 30 PW	30	34.8	37	25	55	50.80	15	103	318	0.425
G 35 PW	35	37.7	43	28	62	57.15	16	130	400	0.50
G 40 PW	40	45.2	49	33	75	66.67	17	179	550	0.90
G 50 PW	50	56.6	60	45	90	82.50	12	302	928	1.64

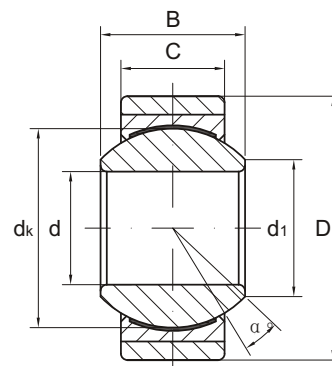
Radial spherical plain bearings S..PW

向心关节轴承

Maintenance-free 无润滑

-Made up of G..PW and steel sleeve.

-由G..PW和钢衬套组成。



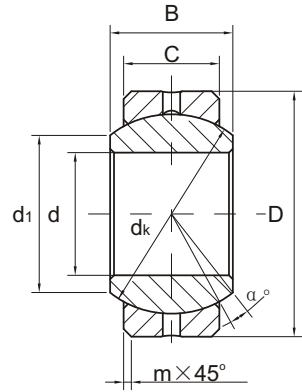
Part No. 型号	Dimensions 尺寸mm							Load ratings 负荷KN		Weight 重量Kg
	d	d _i	B	C	D	d _k	α ≈	dyn. 动 C _d	stat. 静 C _s	
S 5 PW	5	7.7	8	6	16	11.112	13	6.2	17	0.009
S 6 PW	6	8.9	9	6.75	18	12.70	13	7.5	22	0.013
S 8 PW	8	10.3	12	9	22	15.875	13	12	36	0.024
S 10 PW	10	12.9	14	10.5	26	19.05	13	17	50	0.04
S 12 PW	12	15.4	16	12	30	22.225	13	22	67	0.08
S 14 PW	14	16.8	19	13.5	34	25.40	15	28	86	0.11
S 16 PW	16	19.3	21	15	38	28.575	15	35	107	0.13
S 18 PW	18	21.8	23	16.5	42	31.75	15	43	131	0.17
S 20 PW	20	24.3	25	18	46	34.925	15	51	157	0.23
S 22 PW	22	25.8	28	20	50	38.10	15	62	191	0.28
S 25 PW	25	29.5	31	22	56	42.86	15	77	236	0.39
S 30 PW	30	34.8	37	25	66	50.80	15	103	318	0.61

Radial spherical plain bearings COM../HCOM..

向心关节轴承

□ Maintenance required, inch dimensions 需润滑, 英制尺寸

- Outer ring pressed around inner ring.
- Lubricating groove and holes in outer ring.
- In inch dimension series.
- 外圈挤压成型。
- 外圈有润滑槽和油孔。
- 英制系列。

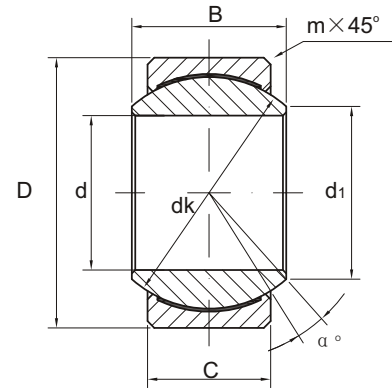


Part No. 型号	Dimensions 尺寸mm								Load ratings 负荷KN	Weight 重量Kg
	d	d ₁	B	C	D	d _k	m	α ≈		
COM 3	4.826	7.44	7.14	5.54	14.29	10.31	0.381	11	14.464	0.006
COM 4	6.35	9.25	8.71	6.35	16.67	12.70	0.56	13.5	22.015	0.010
COM 5	7.938	10.64	9.53	7.14	19.05	14.27	0.81	12	28.80	0.014
COM 6	9.525	13.11	10.31	7.92	20.64	16.66	0.81	10	37.361	0.017
COM 7	11.113	13.46	11.10	8.71	23.02	17.45	0.81	8.0	42.048	0.021
COM 8	12.70	16.26	12.70	9.91	25.40	20.65	0.81	9.5	58.934	0.029
COM 9	14.288	18.03	14.27	11.10	27.78	23.01	0.81	9.5	73.967	0.039
COM 10	15.875	19.81	15.88	12.70	30.16	25.40	0.81	8.5	94.658	0.050
COM 12	19.05	23.37	19.05	15.06	36.51	30.15	1.12	9.0	141.982	0.093
COM 14	22.225	24.89	22.23	17.86	39.69	33.32	1.12	9.5	186.639	0.119
COM 16	25.40	28.40	25.40	20.24	44.45	38.10	1.12	10	245.534	0.175
HCOM 16	25.40	34.54	25.40	19.84	50.80	42.85	0.81	9.0	315.01	0.251
HCOM 19	30.163	40.89	30.15	23.80	60.33	50.80	0.81	8.5	448.049	0.406
HCOM 20	31.75	40.89	30.15	23.80	60.33	50.80	0.81	8.5	448.049	0.406
HCOM 24	38.10	47.24	34.93	27.79	69.85	58.72	0.81	8.5	604.71	0.616
HCOM 28	44.45	53.59	39.67	31.75	79.38	66.68	1.12	8.0	784.495	0.884
HCOM 32	50.80	59.94	44.45	34.93	88.90	74.60	1.12	8.5	965.485	1.198

向心关节轴承

□ Maintenance-free, inch dimensions. 无润滑，英制尺寸

- Outer ring pressed around inner ring.
- Outer race lined with PTFE fabric.
- In inch dimension series.
- 外圈挤压成型。
- 外圈球面粘贴PTFE织物。
- 英制系列。



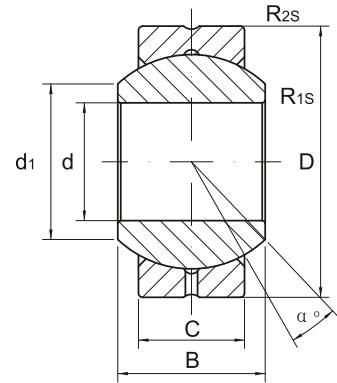
Part No. 型号	Dimensions 尺寸mm								Load ratings 负荷KN	Weight 重量Kg
	d	d ₁	B	C	D	d _k	m	α ≈		
COM 3 T	4.826	7.44	7.14	5.54	14.29	10.31	0.381	11	21.68	0.006
COM 4 T	6.35	9.25	8.71	6.35	16.67	12.70	0.56	13.5	33.02	0.010
COM 5 T	7.938	10.64	9.53	7.14	19.05	14.27	0.81	12	43.20	0.014
COM 6 T	9.525	13.11	10.31	7.92	20.64	16.66	0.81	10	56.04	0.017
COM 7 T	11.113	13.46	11.10	8.71	23.02	17.45	0.81	8.0	63.07	0.021
COM 8 T	12.70	16.26	12.70	9.91	25.40	20.65	0.81	9.5	88.39	0.029
COM 9 T	14.288	18.03	14.27	11.10	27.78	23.01	0.81	9.5	110.94	0.039
COM 10 T	15.875	19.81	15.88	12.70	30.16	25.40	0.81	8.5	141.96	0.050
COM 12 T	19.05	23.37	19.05	15.06	36.51	30.15	1.12	9.0	212.94	0.093
COM 14 T	22.225	24.89	22.23	17.86	39.69	33.32	1.12	9.5	279.93	0.119
COM 16 T	25.40	28.40	25.40	20.24	44.45	38.10	1.12	10	368.25	0.175
HCOM 16 T	25.40	34.54	25.40	19.84	50.80	42.85	0.81	9.0	472.46	0.251
HCOM 19 T	30.163	40.89	30.15	23.80	60.33	50.80	0.81	8.5	672.00	0.406
HCOM 20 T	31.75	40.89	30.15	23.80	60.33	50.80	0.81	8.5	672.00	0.406
HCOM 24 T	38.10	47.24	34.93	27.79	69.85	58.72	0.81	8.5	906.96	0.616
HCOM 28 T	44.45	53.59	39.67	31.75	79.38	66.68	1.12	8.0	1176.61	0.884
HCOM 32 T	50.80	59.94	44.45	34.93	88.90	74.60	1.12	8.5	1448.06	1.198

Radial spherical plain bearings GEBJ..S

向心关节轴承

☐ Maintenance required 需润滑

- Outer ring pressed around inner ring.
- Lubricating groove and holes in outer ring.
- 外圈挤压成型。
- 外圈有润滑油槽和油孔。



型号 Part No.	尺寸mm Dimensions								负荷KN Load ratings		重量Kg Weight
	d	D	B	C	d ₁ min	R _{1s} min	R _{2s} min	α ≈	dyn. 动 C _d	stat. 静 C _s	
GEBJ 5 S	5	13	8	6	7.7	0.3	0.3	13	3.2	9	0.007
GEBJ 6 S	6	16	9	6.75	9.0	0.3	0.3	13	4.1	12	0.010
GEBJ 8 S	8	19	12	9	10.4	0.3	0.3	13	6.5	20	0.016
GEBJ 10 S	10	22	14	10.5	12.9	0.3	0.6	13	9.6	28	0.031
GEBJ 12 S	12	26	16	12	15.4	0.3	0.6	13	12	37	0.055
GEBJ 14 S	14	28	19	13.5	16.9	0.3	0.6	15	16	49	0.078
GEBJ 16 S	16	32	21	15	19.4	0.3	0.6	15	20	61	0.095
GEBJ 18 S	18	35	23	16.5	21.9	0.3	0.6	15	25	74	0.14
GEBJ 20 S	20	40	25	18	24.4	0.3	0.6	15	30	89	0.18
GEBJ 22 S	22	42	28	20	25.8	0.3	0.6	15	36	108	0.21
GEBJ 25 S	25	47	31	22	29.6	0.6	0.6	15	45	130	0.35
GEBJ 30 S	30	55	37	25	34.8	0.6	0.6	15	61	178	0.56

Rod ends SI..E(S), SI..ES 2RS

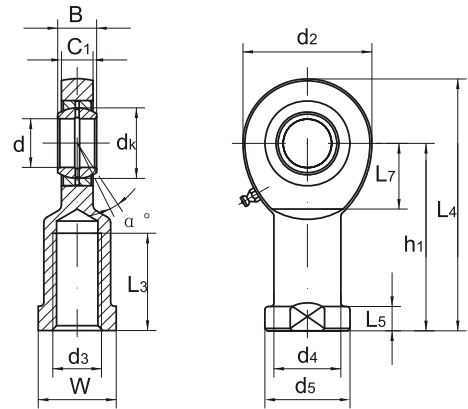


杆端关节轴承

□ Maintenance required 需润滑

- Rod body with right or left-hand female thread.
- It is made up of a radial spherical plain bearing GE..E(S) or GE..ES 2RS and rod body .
- Surface of rod body zinc plated ,housing of SI..ES with a lubricating hole or grease nipple.

- 杆端体带有左旋或右旋的内螺纹。
- 由杆端体和向心关节轴承GE..E(S)或GE..ES 2RS组成。
- 杆端体表面镀锌，SI..ES型杆端体有润滑油孔或油杯。



型号 Part No.	尺寸mm Dimensions														负荷KN Load ratings		重量Kg Weight
	d	d ₃ 6H	B	C ₁	L ₃ min	W	d ₂	h ₁	L ₄	L ₅	d ₄	d ₅	d _k	α ≈	dyn. 动 C _d	stat. 静 C _s	
SI 6 E*	6	M6×1.0	6	4.4	11	11	21	30	40.5	5	10	13	10	13	3.40	8.15	0.021
SI 8 E*	8	M8×1.25	8	6	15	14	24	36	48	5	12.5	16	13	15	5.50	12.9	0.039
SI 10 E*	10	M10×1.5	9	7	20	17	29	43	57.5	6.5	15	19	16	12	8.15	17.6	0.061
SI 12 E*	12	M12×1.75	10	8	23	19	34	50	67	6.5	17.5	22	18	11	10.8	24.5	0.096
SI 15 ES	15	M14×2.0	12	10	30	22	40	61	81	8	21	26	22	8	17.0	36	0.18
SI 17 ES	17	M16×2.0	14	11	34	27	46	67	90	10	24	30	25	10	21.2	45	0.22
SI 20 ES	20	M20×1.5	16	13	40	32	53	77	103.5	10	27.5	35	29	9	30	60	0.35
SI 25 ES	25	M24×2.0	20	17	48	36	64	94	126	12	33.5	42	35.5	7	48	83	0.64
SI 30 ES	30	M30×2.0	22	19	56	41	73	110	146.5	15	40	50	40.7	6	62	110	0.93
SI 35 ES	35	M36×3.0	25	21	60	50	82	125	166	15	47	58	47	6	80	146	1.3
SI 40 ES	40	M39×3.0	28	23	65	55	92	142	188	18	52	65	53	7	100	180	2.0
SI 40-1 ES	40	M42×3.0	28	23	65	55	92	142	188	18	52	65	53	7	100	180	1.96
SI 45 ES	45	M42×3.0	32	27	65	60	102	145	196	20	58	70	60	7	127	240	2.5
SI 45-1 ES	45	M45×3.0	32	27	65	60	102	145	196	20	58	70	60	7	127	240	2.44
SI 50 ES	50	M45×3.0	35	30	68	65	112	160	216	20	62	75	66	6	156	290	3.5
SI 50-1 ES	50	M52×3.0	35	30	68	65	112	160	216	20	62	75	66	6	156	290	3.4
SI 60 ES	60	M52×3.0	44	38	70	75	135	175	242.5	20	70	88	80	6	245	450	5.5
SI 60-1 ES	60	M60×4.0	44	38	70	75	135	175	242.5	20	70	88	80	6	245	450	5.38
SI 70 ES	70	M56×4.0	49	42	80	85	160	200	280	20	80	98	92	6	315	610	8.6
SI 70-1 ES	70	M72×4.0	49	42	80	85	160	200	280	20	80	98	92	6	315	610	8.42
SI 80 ES	80	M64×4.0	55	47	85	100	180	230	320	25	95	110	105	6	400	750	12
SI 80-1 ES	80	M80×4.0	55	47	85	100	180	230	320	25	95	110	105	6	400	750	11.8

- For left-hand thread ,please add suffix"L",e.g.SIL 30 ES.
- For bearings d15,SI..ES 2RS also available,e.g.SI 25 ES 2RS.
- Lubricating hole or grease nipple isn't available for the sizes marked***.

- 若是左旋螺纹，轴承型号需加"L"，例如：SIL 30 ES。
- 轴承孔径d ≥ 15,也可制造2RS结构，例如：SI 25 ES 2RS。
- 带*的型号均不配油孔或油杯。

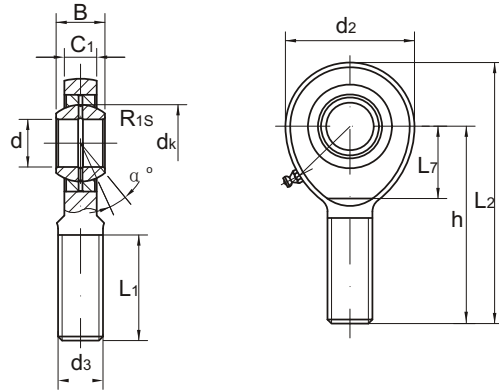
Rod ends SA..E(S), SA..ES 2RS

杆端关节轴承

□ Maintenance required 需润滑

- Rod body with right or left-hand male thread.
- It is made up of a radial spherical plain bearing GE..E(S) or G E..ES 2RS and rod body.
- Surface of rod body zinc plated ,housing of SA..ES with a lubricating hole or grease nipple.

- 杆端体带有左旋或右旋的外螺纹。
- 由杆端体和向心关节轴承GE..E(S)或GE..ES 2RS组成。
- 杆端体表面镀锌，SA..ES型杆端体有润滑油孔或油杯。



Part No. 型号	Dimensions 尺寸mm												Load ratings 负荷KN		Weight 重量Kg
	d	d ₃ 6 _g	B	C ₁	L ₁ min	d ₂	L ₇ min	h	L ₂	dk	R _{1s}	α ≈	dyn. 动 C _d	stat. 静 C _s	
SA 6 E *	6	M6×1.0	6	4.4	18	21	12	36	46.5	10	0.3	13	3.4	8.15	0.017
SA 8 E*	8	M8×1.25	8	6	22	24	14	42	54	13	0.3	15	5.5	12.9	0.029
SA 10 E*	10	M10×1.5	9	7	26	29	15	48	62.5	16	0.3	12	8.15	17.6	0.051
SA 12 E*	12	M12×1.75	10	8	28	34	18	54	71	18	0.3	11	10.8	24.5	0.086
SA 15 ES	15	M14×2.0	12	10	34	40	20	63	83	22	0.3	8	17	36	0.14
SA 17 ES	17	M16×2.0	14	11	36	46	23	69	92	25	0.3	10	21.2	45	0.19
SA 20 ES	20	M20×1.5	16	13	43	53	27	78	104.5	29	0.6	9	30	60	0.31
SA 25ES	25	M24×2.0	20	17	53	64	32	94	126	35.5	0.6	7	48	83	0.56
SA 30 ES	30	M30×2.0	22	19	65	73	37	110	146.5	40.7	0.6	6	62	110	0.89
SA 35 ES	35	M36×3.0	25	21	82	82	42	140	181	47	0.6	6	80	146	1.4
SA 40 ES	40	M39×3.0	28	23	86	92	48	150	196	53	0.6	7	100	180	1.8
SA 40-1 ES	40	M42×3.0	28	23	86	92	48	150	196	53	0.6	7	100	180	1.85
SA 45 ES	45	M42×3.0	32	27	94	102	52	163	214	60	0.6	7	127	240	2.6
SA 45-1 ES	45	M45×3.0	32	27	94	102	52	163	214	60	0.6	7	127	240	2.66
SA 50 ES	50	M45×3.0	35	30	107	112	60	185	241	66	0.6	6	156	290	3.4
SA 50-1 ES	50	M52×3.0	35	30	107	112	60	185	241	66	0.6	6	156	290	3.5
SA 60 ES	60	M52×3.0	44	38	115	135	75	210	277.5	80	1.0	6	245	450	5.9
SA 60-1 ES	60	M60×4.0	44	38	115	135	75	210	277.5	80	1.0	6	245	450	6.02
SA 70 ES	70	M56×4.0	49	42	125	160	87	235	315	92	1.0	6	315	610	8.2
SA 70-1 ES	70	M72×4.0	49	42	125	160	87	235	315	92	1.0	6	315	610	8.38
SA 80 ES	80	M64×4.0	55	47	140	180	100	270	360	105	1.0	6	400	750	12
SA 80-1 ES	80	M80×4.0	55	47	140	180	100	270	360	105	1.0	6	400	750	12.2

- For left-hand thread ,please add suffix"L", e.g. SAL 30 ES.
- For bearings $d \geq 15$, SA..ES 2RS also available, e.g. SA 25 ES 2RS.
- Lubricating hole or grease nipple isn't available for the sizes marked"*".
- 若是左旋螺纹，轴承型号需加“L”，例如：SAL 30 ES。
- 轴承孔径 $d \geq 15$ ，也可制造2RS结构，例如：SA 25 ES 2RS。
- 带“*”的型号均不配油孔或油杯。

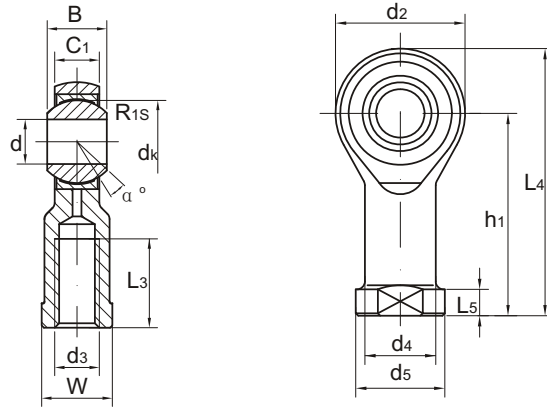
Rod ends SI..T/K

杆端关节轴承

□ Maintenance-free 无润滑

- Rod body with right or left-hand female thread.
- It is made up of a maintenance-free radial spherical plain bearing G..PW and rod body.
- Surface of rod body zinc plated.

- 杆端体带有左旋或右旋的内螺纹。
- 由杆端体和自润滑向心关节轴承G..PW组成。
- 杆端体表面镀锌。



Part No. 型号	Dimensions 尺寸mm														Load ratings 负荷KN		Weight 重量Kg
	d	d ₃ 6H	B	C ₁	W	h ₁	d ₂	L ₄	L ₅	d ₄	d ₅	d _k	L ₃ min	α ≈	dyn. 动 C _d	stat. 静 C _s	
SI 5 T/K	5	M5×0.8	8	6	9	27	18	36	4	8.5	11	11.11	10	13	5.70	6.00	0.016
SI 6 T/K	6	M6×1.0	9	6.75	11	30	20	40	5	10	13	12.70	12	13	7.20	7.65	0.022
SI 8 T/K	8	M8×1.25	12	9	14	36	24	48	5	12.5	16	15.875	16	14	11.6	12.9	0.047
SI 10 T/K	10	M10×1.5	14	10.5	17	43	28	57	6.5	15	19	19.05	20	13	14.5	18	0.077
SI 10-1 T/K	10	M10×1.25	14	10.5	17	43	28	57	6.5	15	19	19.05	20	13	14.5	18	0.077
SI 12 T/K	12	M12×1.75	16	12	19	50	32	66	6.5	17.5	22	22.225	22	13	17	24	0.10
SI 12-1 T/K	12	M12×1.25	16	12	19	50	32	66	6.5	17.5	22	22.225	22	13	17	24	0.10
SI 14 T/K	14	M14×2.0	19	13.5	22	57	36	75	8	20	25	25.40	25	16	24	31	0.16
SI 14-1 T/K	14	M14×1.5	19	13.5	22	57	36	75	8	20	25	25.40	25	16	24	31	0.16
SI 16 T/K	16	M16×2.0	21	15	22	64	42	85	8	22	27	28.575	28	15	28.5	39	0.22
SI 16-1 T/K	16	M16×1.5	21	15	22	64	42	85	8	22	27	28.575	28	15	28.5	39	0.22
SI 18 T/K	18	M18×1.5	23	16.5	27	71	44	93	10	25	31	31.75	32	15	42.5	47.5	0.32
SI 20 T/K	20	M20×1.5	25	18	30	77	50	102	10	27.5	34	34.925	33	14	42.5	57	0.42
SI 22 T/K	22	M22×1.5	28	20	32	84	54	111	12	30	38	38.10	37	15	57	68	0.54
SI 25 T/K	25	M24×2.0	31	22	36	94	60	124	12	33.5	42	42.86	42	15	68	85	0.72
SI 28 T/K	28	M27×2.0	35	24	41	103	66	136	14	37	46	47.63	51	15	86	107	0.82
SI 30 T/K	30	M30×2.0	37	25	41	110	70	145	15	40	50	50.8	51	17	88	114	1.1
SI 30-1 T/K	30	M27×2.0	37	25	41	110	70	145	15	40	50	50.8	51	17	88	114	1.1
SI 35 T/K	35	M36×2.0	43	28	50	125	81	165.5	17	46	58	57.15	56	16	.	.	1.6
SI 40 T/K	40	M42×2.0	49	33	55	142	91	187.5	19	53	65	66.67	60	16	.	.	2.4
SI 50 T/K	50	M48×2.0	60	45	65	160	117	218.5	23	65	75	82.5	65	12	.	.	5.0

-For left-hand thread, please add suffix "L", e.g. SIL 18T/K.

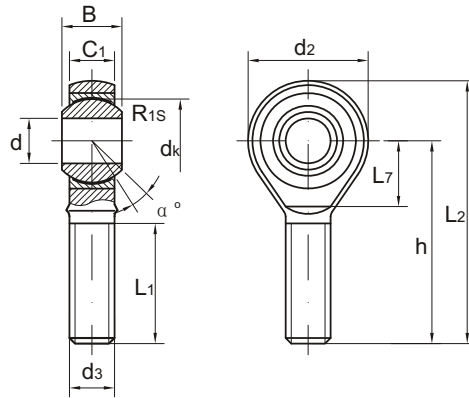
-若是左旋螺纹, 轴承型号需加 "L", 例如: SIL 18 T/K。

Rod ends SA..T/K

杆端关节轴承

□ Maintenance-free 无润滑

- Rod body with right or left-hand male thread.
- It is made up of a maintenance-free radial spherical plain bearing G..PW and rod body.
- Surface of rod body zinc plated.
- 杆端体带有左旋或右旋的外螺纹。
- 由杆端体和自润滑向心关节轴承G..PW组成。
- 杆端体表面镀锌。



Part No. 型号	Dimensions 尺寸mm												Load ratings 负荷KN		Weight 重量Kg
	d	d ₃ G ₉	B	C ₁	L ₁ min	d ₂	L ₇	h	L ₂	d _k	R _{1s}	α ≈	dyn. 动 C _d	stat. 静 C _s	
SA 5 T/K	5	M5×0.8	8	6	19	18		33	42	11.11	0.3	13	5.7	6.0	0.013
SA 6 T/K	6	M6×1.0	9	6.75	21	20		36	46	12.70	0.3	13	7.2	7.65	0.020
SA 8 T/K	8	M8×1.25	12	9	25	24		42	54	15.875	0.3	14	11.6	12.9	0.038
SA 10 T/K	10	M10×1.5	14	10.5	28	28		48	62	19.05	0.3	13	14.5	18	0.055
SA 12 T/K	12	M12×1.75	16	12	32	32		54	70	22.225	0.3	13	17	24	0.085
SA 12-1 T/K	12	M12×1.25	16	12	32	32		54	70	22.225	0.3	13	17	24	0.085
SA 14 T/K	14	M14×2.0	19	13.5	36	36	18	60	78	25.40	0.3	16	24	31	0.14
SA 16 T/K	16	M16×2.0	21	15	37	42	21	66	87	28.575	0.3	15	28.5	39	0.21
SA 16-1 T/K	16	M16×1.5	21	15	37	42	21	66	87	28.575	0.3	15	28.5	39	0.21
SA 18 T/K	18	M18×1.5	23	16.5	41	44	22	72	94	31.75	0.3	15	42.5	47.5	0.28
SA 20 T/K	20	M20×1.5	25	18	45	50	25	78	103	34.925	0.3	14	42.5	57	0.38
SA 22 T/K	22	M22×1.5	28	20	48	54	27	84	111	38.10	0.3	15	57	68	0.48
SA 25 T/K	25	M24×2.0	31	22	55	60	30	94	124	42.86	0.3	15	68	85	0.64
SA 28 T/K	28	M27×2.0	35	24	62	66	33	103	136	47.63	0.3	15	86	107	0.80
SA 30 T/K	30	M30×2.0	37	25	66	70	35	110	145	50.8	0.3	17	88	114	1.10
SA 35 T/K	35	M36×2.0	43	28	85	81	40	140	180.5	57.15	0.3	16	.	.	1.64
SA 40 T/K	40	M42×2.0	49	33	90	91	45	150	195.5	66.67	0.3	17	.	.	2.30
SA 50 T/K	50	M48×2.0	60	45	105	117	58	185	243.5	82.5	0.3	12	.	.	4.80

-For left-hand thread, please add suffix"L", e.g. SAL18T/K.

-若是左旋螺纹，轴承型号需加“L”，例如：SAL 18T/K。

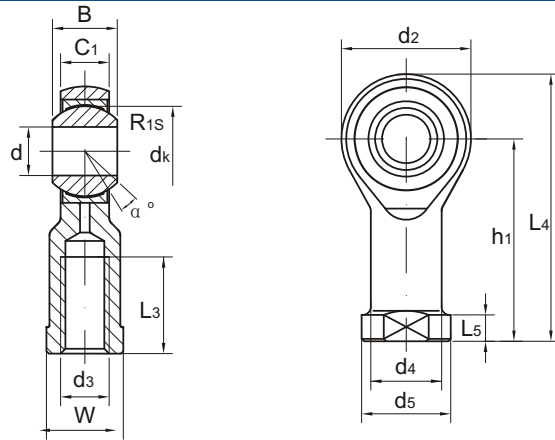
Rod ends SSI..T/K

杆端关节轴承

☐ Maintenance-free, stainless 无润滑，不锈钢

-Design features as series SI..T/K, but in stainless steel.

-结构特点与SI..T/K相同，但材料为不锈钢。



Part No. 型号	Dimensions 尺寸mm														Load ratings 负荷KN		Weight 重量Kg
	d	d ₃ 6H	B	C ₁	W	h ₁	d ₂	L ₄	L ₅	d ₄	d ₅	d _k	L ₃ min	α ≈	dyn. 动 C _d	stat. 静 C _s	
SSI 5 T/K	5	M5×0.8	8	6	9	27	18	36	4	8.5	11	11.11	10	13	5.70	6.00	0.016
SSI 6 T/K	6	M6×1.0	9	6.75	11	30	20	40	5	10	13	12.70	12	13	7.20	7.65	0.022
SSI 8 T/K	8	M8×1.25	12	9	14	36	24	48	5	12.5	16	15.875	16	14	11.6	12.9	0.047
SSI 10 T/K	10	M10×1.5	14	10.5	17	43	28	57	6.5	15	19	19.05	20	13	14.5	18	0.077
SSI 10-1 T/K	10	M10×1.25	14	10.5	17	43	28	57	6.5	15	19	19.05	20	13	14.5	18	0.077
SSI 12 T/K	12	M12×1.75	16	12	19	50	32	66	6.5	17.5	22	22.225	22	13	17	24	0.10
SSI 12-1 T/K	12	M12×1.25	16	12	19	50	32	66	6.5	17.5	22	22.225	22	13	17	24	0.10
SSI 14 T/K	14	M14×2.0	19	13.5	22	57	36	75	8	20	25	25.40	25	16	24	31	0.16
SSI 14-1 T/K	14	M14×1.5	19	13.5	22	57	36	75	8	20	25	25.40	25	16	24	31	0.16
SSI 16 T/K	16	M16×2.0	21	15	22	64	42	85	8	22	27	28.575	28	15	28.5	39	0.22
SSI 16-1 T/K	16	M16×1.5	21	15	22	64	42	85	8	22	27	28.575	28	15	28.5	39	0.22
SSI 18 T/K	18	M18×1.5	23	16.5	27	71	44	93	10	25	31	31.75	32	15	42.5	47.5	0.32
SSI 20 T/K	20	M20×1.5	25	18	30	77	50	102	10	27.5	34	34.925	33	14	42.5	57	0.42
SSI 22 T/K	22	M22×1.5	28	20	32	84	54	111	12	30	38	38.10	37	15	57	68	0.54
SSI 25 T/K	25	M24×2.0	31	22	36	94	60	124	12	33.5	42	42.86	42	15	68	85	0.72
SSI 28 T/K	28	M27×2.0	35	24	41	103	66	136	14	37	46	47.63	51	15	86	107	0.82
SSI 30 T/K	30	M30×2.0	37	25	41	110	70	145	15	40	50	50.8	51	17	88	114	1.10
SSI30-1 T/K	30	M27×2.0	37	25	41	110	70	145	15	40	50	50.8	51	17	88	114	1.10

-For left-hand thread, please add suffix "L", e.g. SSIL18T/K.

-若是左旋螺纹，轴承型号需加“L”，例如：SSIL18T/K。

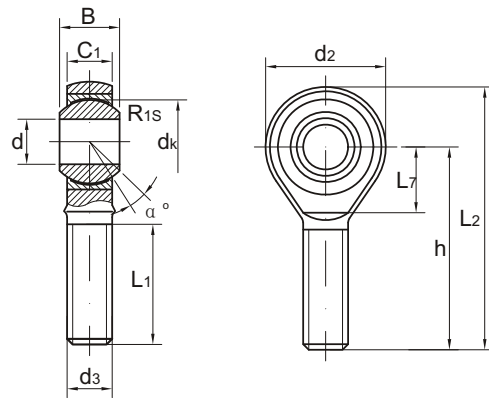
Rod ends SSA..T/K

杆端关节轴承

□ Maintenance-free, stainless 无润滑, 不锈钢

-Design features as series SA..T/K, but in stainless steel.

-结构特点与SA..T/K相同, 但材料为不锈钢。



Part No. 型号	Dimensions 尺寸mm												Load ratings 负荷KN		Weight 重量Kg
	d	d ₃ 6 _g	B	C ₁	L ₁ min	d ₂	h	L ₇	L ₂	d _k	R _{1s}	α ≈	dyn. 动 C _d	stat. 静 C _s	
SSA 5 T/K	5	M5×0.8	8	6	19	18	33		42	11.11	0.3	13	5.70	6.00	0.013
SSA 6 T/K	6	M6×1.0	9	6.75	21	20	36		46	12.70	0.3	13	7.20	7.65	0.020
SSA 8 T/K	8	M8×1.25	12	9	25	24	42		54	15.875	0.3	14	11.6	12.9	0.038
SSA 10 T/K	10	M10×1.5	14	10.5	28	28	48		62	19.05	0.3	13	14.5	18	0.055
SSA 12 T/K	12	M12×1.75	16	12	32	32	54		70	22.225	0.3	13	17.0	24	0.085
SSA 12-1T/K	12	M12×1.25	16	12	32	32	54		70	22.225	0.3	13	17.0	24	0.085
SSA 14 T/K	14	M14×2.0	19	13.5	36	36	60	18	78	25.40	0.3	16	24.0	31	0.14
SSA 16 T/K	16	M16×2.0	21	15	37	42	66	21	87	28.575	0.3	15	28.5	39	0.21
SSA 16-1 T/K	16	M16×1.5	21	15	37	42	66	21	87	28.575	0.3	15	28.5	39	0.21
SSA 18 T/K	18	M18×1.5	23	16.5	41	44	72	22	94	31.75	0.3	15	42.5	47.5	0.28
SSA 20 T/K	20	M20×1.5	25	18	45	50	78	25	103	34.925	0.3	14	42.5	57	0.38
SSA 22 T/K	22	M22×1.5	28	20	48	54	84	27	111	38.10	0.3	15	57	68	0.48
SSA 25 T/K	25	M24×2.0	31	22	55	60	94	30	124	42.86	0.3	15	68	85	0.64
SSA 28 T/K	28	M27×2.0	35	24	62	66	103	33	136	47.63	0.3	15	86	107	0.80
SSA 30 T/K	30	M30×2.0	37	25	66	70	110	35	145	50.80	0.3	17	88	114	1.10

-For left-hand thread, please add suffix"L", e.g. SSAL 18 T/K.

-若是左旋螺纹, 轴承型号需加“L”, 例如: SSAL 18 T/K.

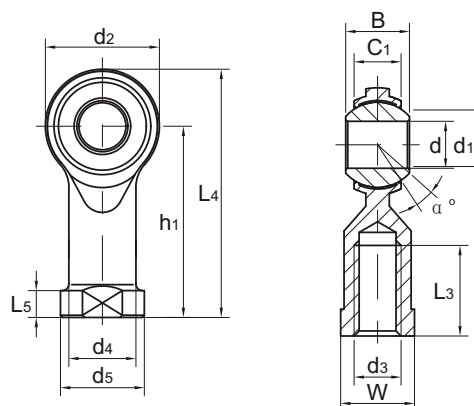
Rod ends SI..PK

杆端关节轴承

□ Maintenance-free 无润滑

- Rod body with right or left-hand female thread.
- Rod body pressed around inner ring.
- Outer race lined with CSB-FR PTFE composite material.
- Surface of rod body zinc plated.

- 杆端体带有左旋或右旋的内螺纹。
- 由杆端体挤压成型。
- 外圈球面衬有CSB-FR PTFE复合材料。
- 杆端体表面镀锌。



Part No. 型号	Dimensions 尺寸mm													Load ratings 负荷KN		Weight 重量Kg
	d	d ₃ 7 _H	B	C ₁	d ₂	h ₁	L ₄	L ₃ min	d ₄	d ₅	W	L ₅	α ≈	dyn. 动 C _d	stat. 静 C _s	
SI 5 PK	5	M5×0.8	8	6	19	27	36.5	10	9	11	9	4	12	5.70	6	0.018
SI 6 PK	6	M6×1.0	9	6.7	21	30	40.5	12	10	13	11	5	11	7.20	7.65	0.026
SI 8 PK	8	M8×1.25	12	9	25	36	48.5	16	12.5	16	14	5	12	11.6	12.9	0.047
SI 10 PK	10	M10×1.5	14	11	29	43	57.5	20	15	19	17	6.5	12	14.5	18	0.077
SI 10-1 PK	10	M10×1.25	14	11	29	43	57.5	20	15	19	17	6.5	12	14.5	18	0.077
SI 12 PK	12	M12×1.75	16	12	33	50	66.5	22	17.5	22	19	6.5	13	17	24	0.10
SI 12-1 PK	12	M12×1.25	16	12	33	50	66.5	22	17.5	22	19	6.5	13	17	24	0.10
SI 14 PK	14	M14×2.0	19	14	37	57	75.5	25	20	25	22	8	14	24	31	0.16
SI 16 PK	16	M16×2.0	21	15	43	64	85.5	28	22	27	22	8	14	28.5	39	0.22
SI 16-1 PK	16	M16×1.5	21	15	43	64	85.5	28	22	27	22	8	14	28.5	39	0.22
SI 18 PK	18	M18×1.5	23	17	47	71	94.5	32	25	31	27	10	14	42.5	47.5	0.32
SI 20 PK	20	M20×1.5	25	18	51	77	102.5	33	27.5	34	30	10	14	42.5	57	0.42
SI 22 PK	22	M22×1.5	28	20	55	84	111.5	37	30	38	32	12	15	57	68	0.54
SI 25 PK	25	M24×2.0	31	22	61	94	124.5	42	33.5	42	36	12	15	68	85	0.72

-For left-hand thread, please add suffix"L", e.g. SIL 18 PK.

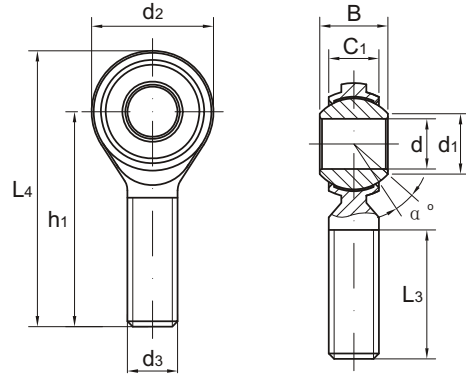
-若是左旋螺纹，轴承型号需加“L”，例如：SIL 18 PK。

Rod ends SA..PK

杆端关节轴承

□ Maintenance-free 无润滑

- Rod body with right or left-hand male thread.
- Rod body pressed around inner ring.
- Outer race lined with CSB-FR PTFE composite material.
- Surface of rod body zinc plated.
- 杆端体带有左旋或右旋的外螺纹。
- 由杆端体挤压成型。
- 外圈球面衬有PTFE复合材料。
- 杆端体表面镀锌。



Part No. 型号	Dimensions 尺寸mm									Load ratings 负荷KN		Weight 重量Kg
	d	d ₃ 6 _g	B	C ₁	d ₂	h ₁	L ₄	L ₃ min	α ≈	dyn. 动 C _d	stat. 静 C _s	
SA 5 PK	5	M5×0.8	8	6	19	33	42.5	20	12	5.70	6	0.014
SA 6 PK	6	M6×1.0	9	6.7	21	36	46.5	22	11	7.20	7.65	0.020
SA 8 PK	8	M8×1.25	12	9	25	42	54.5	25	12	11.6	12.9	0.038
SA 10 PK	10	M10×1.5	14	11	29	48	62.5	29	12	14.5	18	0.055
SA 12 PK	12	M12×1.75	16	12	33	54	70.5	33	13	17	24	0.085
SA 14 PK	14	M14×2.0	19	14	37	60	78.5	36	14	24	31	0.14
SA 16 PK	16	M16×2.0	21	15	43	66	87.5	40	14	28.5	39	0.21
SA 18 PK	18	M18×1.5	23	17	47	72	95.5	44	14	42.5	47.5	0.28
SA 20 PK	20	M20×1.5	25	18	51	78	103.5	47	14	42.5	57	0.38
SA 22 PK	22	M22×1.5	28	20	55	84	111.5	50	15	57	68	0.48
SA 25 PK	25	M24×2.0	31	22	61	94	124.5	57	15	68	85	0.64

- For left-hand thread, please add suffix"L", e.g. SAL 18 PK.
- 若是左旋螺纹，轴承型号需“L”，例如：SAL 18 PK。

Rod ends GIR..UK, GIR..UK 2RS

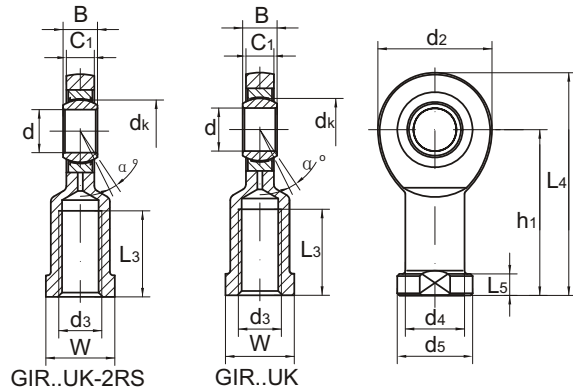


杆端关节轴承

□ Maintenance-free 无润滑

- Rod body with right or left-hand female thread.
- It is made up of a maintenance-free radial spherical plain bearing GE.. UK or GE.. UK 2RS and rod body.
- Surface of rod body zinc plated.

- 杆端体带有左旋或右旋的内螺纹。
- 由杆端体和自润滑向心关节轴承GE..UK或GE..UK 2RS 组成。
- 杆端体表面镀锌。



Part No. 型号	Dimensions 尺寸mm													Load ratings 负荷KN		Weight 重量Kg	
	d	d ₃ 6H	B	C ₁	d ₂	L ₃ min	W	d ₄	d ₅	L ₅	h ₁	L ₄	d _k	α ≈	dyn. 动 C _d		stat. 静 C _s
GIR 6 UK	6	M6×1.0	6	4.4	21	11	11	10	13	5	30	40.5	10	13	3.60	8.15	0.021
GIR 8 UK	8	M8×1.25	8	6.0	24	15	14	12.5	16	5	36	48	13	15	5.85	12.9	0.039
GIR 10 UK	10	M10×1.5	9	7.0	29	20	17	15	19	6.5	43	57.5	16	12	8.65	17.6	0.061
GIR 12 UK	12	M12×1.75	10	8.0	34	23	19	17.5	22	6.5	50	67	18	11	11.4	24.5	0.096
GIR 15 UK	15	M14×2.0	12	10	40	30	22	21	26	8	61	81	22	8	17.6	36	0.18
GIR 17 UK(2RS)	17	M16×2.0	14	11	46	34	27	24	30	10	67	90	25	10	22.4	45	0.22
GIR 20 UK(2RS)	20	M20×1.5	16	13	53	40	32	27.5	35	10	77	103.5	29	9	31.5	60	0.35
GIR 25 UK(2RS)	25	M24×2.0	20	17	64	48	36	33.5	42	12	94	126	35.5	7	51.0	83	0.64
GIR 30 UK(2RS)	30	M30×2.0	22	19	73	56	41	40	50	15	110	146.5	40.7	6	66.5	110	0.93
GIR 35 UK 2RS	35	M36×3.0	25	21	82	60	50	47	58	15	125	166	47	6	112	146	1.3
GIR 40 UK 2RS	40	M39×3.0	28	23	92	65	55	52	65	18	142	188	53	7	140	180	2.0
GIR 40-1 UK 2RS	40	M42×3.0	28	23	92	65	55	52	65	18	142	188	53	7	140	180	1.96
GIR 45 UK 2RS	45	M42×3.0	32	27	102	65	60	58	70	20	145	196	60	7	180	240	2.5
GIR 45-1 UK 2RS	45	M45×3.0	32	27	102	65	60	58	70	20	145	196	60	7	180	240	2.44
GIR 50 UK 2RS	50	M45×3.0	35	30	112	68	65	62	75	20	160	216	66	6	220	290	3.5
GIR 50-1 UK 2RS	50	M52×3.0	35	30	112	68	65	62	75	20	160	216	66	6	220	290	3.4
GIR 60 UK 2RS	60	M52×3.0	44	38	135	70	75	70	88	20	175	242.5	80	6	345	450	5.5
GIR 60-1 UK 2RS	60	M60×4.0	44	38	135	70	75	70	88	20	175	242.5	80	6	345	450	5.38
GIR 70 UK RS	70	M56×4.0	49	42	160	80	85	80	98	20	200	280	92	6	440	610	8.6
GIR 70-1 UK 2RS	70	M72×4.0	49	42	160	80	85	80	98	20	200	280	92	6	440	610	8.42
GIR 80 UK 2RS	80	M64×4.0	55	47	180	85	100	95	110	25	230	320	105	6	570	750	12
GIR 80-1 UK 2RS	80	M80×4.0	55	47	180	85	100	95	110	25	230	320	105	6	570	750	11.8

-For left-hand thread, please add suffix"L", e.g. GIL 10 UK.

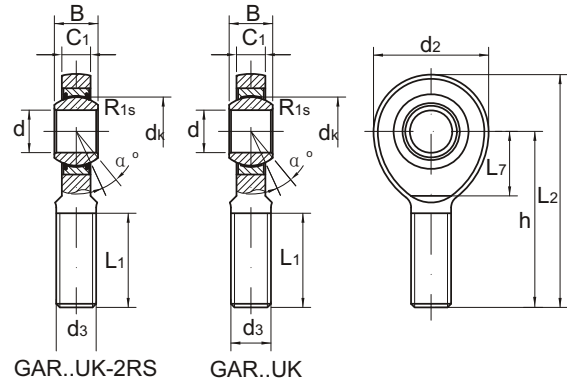
-若是左旋螺纹，轴承型号需加“L”，例如：GIL 10 UK。

Rod ends GAR..UK, GAR..UK 2RS

杆端关节轴承

Maintenance-free 无润滑

- Rod body with right or left-hand male thread.
- It is made up of a maintenance-free radial spherical plain bearing GE.. UK or GE.. UK 2RS and rod body.
- Surface of rod body zinc plated.
- 杆端体带有左旋或右旋的外螺纹。
- 由杆端体和自润滑向心关节轴承GE..UK或GE..UK 2RS组成。
- 杆端体表面镀锌。



Part No. 型号	Dimensions 尺寸mm												Load ratings 负荷KN		Weight 重量Kg
	d	d ₃ G ₉	B	C ₁	d ₂	L ₂	h	L ₇	L ₁ min	d _k	R _{1s}	α ≈	dyn. 动 C _d	stat. 静 C _s	
GAR 6 UK	6	M6×1.0	6	4.4	21	46.5	36	12	18	10	0.3	13	3.60	8.15	0.017
GAR 8 UK	8	M8×1.25	8	6	24	54	42	14	22	13	0.3	15	5.85	12.9	0.029
GAR 10 UK	10	M10×1.5	9	7	29	62.5	48	15	26	16	0.3	12	8.65	17.6	0.051
GAR 12 UK	12	M12×1.75	10	8	34	71	54	18	28	18	0.3	11	11.4	24.5	0.086
GAR 15 UK	15	M14×2.0	12	10	40	83	63	20	34	22	0.3	8	17.6	36	0.14
GAR 17 UK(2RS)	17	M16×2.0	14	11	46	92	69	23	36	25	0.3	10	22.4	45	0.19
GAR 20 UK(2RS)	20	M20×1.5	16	13	53	104.5	78	27	43	29	0.6	9	31.5	60	0.31
GAR 25 UK(2RS)	25	M24×2.0	20	17	64	126	94	32	53	35.5	0.6	7	51.0	83	0.56
GAR 30 UK(2RS)	30	M30×2.0	22	19	73	146.5	110	37	65	40.7	0.6	6	66.5	110	0.89
GAR 35 UK 2RS	35	M36×3.0	25	21	82	181	140	42	82	47	0.6	6	112	146	1.4
GAR 40 UK 2RS	40	M39×3.0	28	23	92	196	150	48	86	53	0.6	7	140	180	1.8
GAR 40-1 UK 2RS	40	M42×3.0	28	23	92	196	150	48	86	53	0.6	7	140	180	1.85
GAR 45 UK 2RS	45	M42×3.0	32	27	102	214	163	52	94	60	0.6	7	180	240	2.6
GAR 45-1 UK 2RS	45	M45×3.0	32	27	102	214	163	52	94	60	0.6	7	180	240	2.66
GAR 50 UK 2RS	50	M45×3.0	35	30	112	241	185	60	107	66	0.6	6	220	290	3.4
GAR 50-1 UK 2RS	50	M52×3.0	35	30	112	241	185	60	107	66	0.6	6	220	290	3.5
GAR 60 UK 2RS	60	M52×3.0	44	38	135	277.5	210	75	115	80	1.0	6	345	450	5.9
GAR 60-1 UK 2RS	60	M60×4.0	44	38	135	277.5	210	75	115	80	1.0	6	345	450	6.02
GAR 70 UK RS	70	M56×4.0	49	42	160	315	235	87	125	92	1.0	6	440	610	8.2
GAR 70-1 UK 2RS	70	M72×4.0	49	42	160	315	235	87	125	92	1.0	6	440	610	8.38
GAR 80 UK 2RS	80	M64×4.0	55	47	180	360	270	100	140	105	1.0	6	570	750	12
GAR 80-1 UK 2RS	80	M80×4.0	55	47	180	360	270	100	140	105	1.0	6	570	750	12.2

- For left-hand thread, please add suffix "L", e.g. GAL 10 UK.
- 若是左旋螺纹，轴承型号需加“L”，例如：GAL 10 UK。

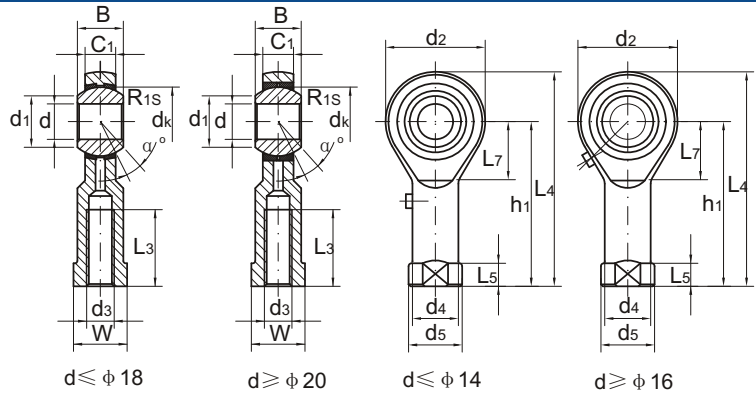
Rod ends PHS..

杆端关节轴承

□ Maintenance required 需润滑

- Rod body with right or left-hand female thread.
- Outer race lined with bronze liner.
- Surface of rod body zinc plated, rod body with a lubricating hole or grease nipple.

- 杆端体带有左旋或右旋的内螺纹。
- 外圈球面镶有青铜衬垫。
- 杆端体表面镀锌，有润滑油孔或油杯。



Part No. 型号	Dimensions 尺寸mm															Load ratings 负荷KN		Weight 重量Kg
	d	d ₃ 6H	B	C ₁	W	L ₃ min	d ₂	L ₄	h ₁	L ₅	d ₄	d ₅	d _k	d ₁	α ≈	dyn. 动 C _d	stat. 静 C _s	
PHS 4	4	M4×0.7	7	5.25	8	8	14	31	24	4	8	9.5	9.525	6.5	13	3.0	5.0	0.009
PHS 5	5	M5×0.8	8	6	9	10	16	35	27	4	8.5	11	11.11	7.70	13	3.25	5.70	0.016
PHS 6	6	M6×1.0	9	6.75	11	12	18	39	30	5	10	13	12.70	8.96	13	4.3	7.20	0.022
PHS 8	8	M8×1.25	12	9	14	16	22	47	36	5	12.5	16	15.875	10.4	14	7.2	11.6	0.047
PHS10	10	M10×1.5	14	10.5	17	20	26	56	43	6.5	15	19	19.05	12.9	13	10	14.5	0.077
PHS 10-1	10	M10×1.25	14	10.5	17	20	26	56	43	6.5	15	19	19.05	12.9	13	10	14.5	0.077
PHS 12	12	M12×1.75	16	12	19	22	30	65	50	6.5	17.5	22	22.225	15.4	13	13.4	17	0.10
PHS 12-1	12	M12×1.25	16	12	19	22	30	65	50	6.5	17.5	22	22.225	15.4	13	13.4	17	0.10
PHS 14	14	M14×2.0	19	13.5	22	25	34	74	57	8	20	25	25.40	16.9	16	17	24	0.16
PHS 14-1	14	M14×1.5	19	13.5	22	25	34	74	57	8	20	25	25.40	16.9	16	17	24	0.16
PHS 16	16	M16×2.0	21	15	22	28	40	84	64	8	22	27	28.575	19.4	15	21.6	28.5	0.22
PHS 16-1	16	M16×1.5	21	15	22	28	40	84	64	8	22	27	28.575	19.4	15	21.6	28.5	0.22
PHS 18	18	M18×1.5	23	16.5	27	32	44	93	71	10	25	31	31.75	21.9	15	26	42.5	0.32
PHS 20	20	M20×1.5	25	18	30	33	50	102	77	10	27.5	34	34.925	24.4	14	31.5	42.5	0.42
PHS 22	22	M22×1.5	28	20	32	37	54	111	84	12	30	38	38.10	25.8	15	38	57	0.54
PHS 25	25	M24×2.0	31	22	36	42	60	124	94	12	33.5	42	42.86	29.6	15	47.5	68	0.73
PHS 28	28	M27×2.0	35	24	41	48	66	136	103	14	37	46	47.63	32.3	15	58	75	0.98
PHS 30	30	M30×2.0	37	25	41	51	70	145	110	15	40	50	50.8	34.8	17	64	88	1.10
PHS 30-1	30	M27×2.0	37	25	41	51	70	145	110	15	40	50	50.8	34.8	17	64	88	1.10

-For left-hand thread, please add suffix"L", e.g. PHSL 8.

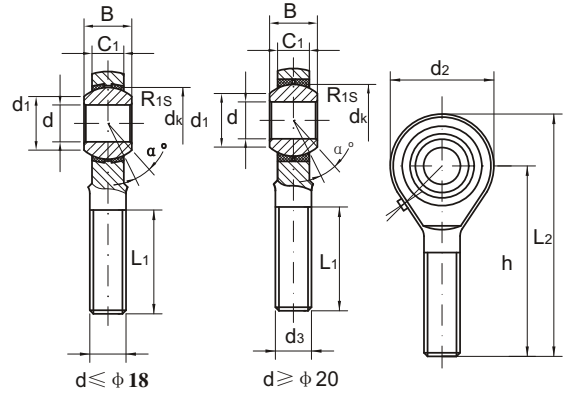
-若是左旋螺纹，轴承型号需加"L"，例如：PHSL 8。

Rod ends POS..

杆端关节轴承

Maintenance required 需润滑

- Rod body with right or left-hand male thread.
- Outer race lined with bronze liner.
- Surface of rod body zinc plated, rod body with a lubricating hole or grease nipple.
- 杆端体带有左旋或右旋的外螺纹。
- 外圈球面镶有青铜衬垫。
- 杆端体表面镀锌，有润滑油孔或油杯。



Part No. 型号	Dimensions 尺寸mm												Load ratings 负荷KN		Weight 重量Kg
	d	d ₃ 6 _g	B	C ₁	L ₁ min	d ₂	h	L ₂	d _k	R _{1S}	d ₁	α ≈	dyn. 动 C _d	stat. 静 C _s	
POS 5	5	M5×0.8	8	6	20	16	33	41	11.11	0.3	7.70	13	3.25	5.70	0.013
POS 6	6	M6×1.0	9	6.75	22	18	36	45	12.70	0.3	8.96	13	4.30	7.20	0.020
POS 8	8	M8×1.25	12	9	25	22	42	53	15.875	0.3	10.4	14	7.20	11.6	0.030
POS 10	10	M10×1.5	14	10.5	29	26	48	61	19.05	0.3	12.9	13	10	14.5	0.055
POS 12	12	M12×1.75	16	12	33	30	54	69	22.225	0.3	15.4	13	13.4	17	0.085
POS 12-1	12	M12×1.25	16	12	33	30	54	69	22.225	0.3	15.4	13	13.4	17	0.085
POS 14	14	M14×2.0	19	13.5	36	34	60	77	25.40	0.3	16.9	16	17	24	0.14
POS 16	16	M16×2.0	21	15	40	40	66	86	28.575	0.3	19.4	15	21.6	28.5	0.21
POS 16-1	16	M16×1.5	21	15	40	40	66	86	28.575	0.3	19.4	15	21.6	28.5	0.21
POS 18	18	M18×1.5	23	16.5	44	44	72	94	31.75	0.3	21.9	15	26	42.5	0.28
POS 20	20	M20×1.5	25	18	47	50	78	103	34.925	0.3	24.4	14	31.5	52.5	0.38
POS 22	22	M22×1.5	28	20	51	54	84	111	38.10	0.3	25.8	15	38	57	0.48
POS 25	25	M24×2.0	31	22	57	60	94	124	42.86	0.3	29.6	15	47.5	68	0.64
POS 28	28	M27×2.0	35	24	62	66	103	136	47.63	0.3	32.3	15	58	75.5	0.96
POS 30	30	M30×2.0	37	25	66	70	110	145	50.8	0.3	34.8	17	64	88	1.10

-For left-hand thread, please add suffix "L", e.g. POSL 8.

-若是左旋螺纹，轴承型号需加“L”，例如：POSL 8。

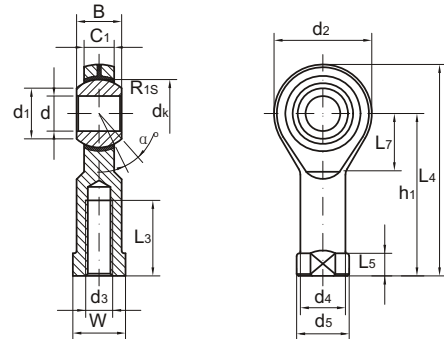
Rod ends SI..ZK.

杆端关节轴承

□ Maintenance-free 无润滑

- Rod body with right or left-hand female thread.
- With moulded Nylon/Teflon/Fiberglass compound insert .
- Surface of rod body zinc plated.

- 杆端体带有左旋或右旋的内螺纹。
- 外圈用注塑工艺成型。
- 杆端体表面镀锌。



Part No. 型号	Dimensions 尺寸mm														Load ratings 负荷KN		Weight 重量Kg	
	d	d ₃ 6H	B	C ₁	W	L ₃ min	d ₂	L ₄	h ₁	L ₅	d ₄	d ₅	d _k	d ₁	α ≈	dyn. 动 C _d		stat. 静 C _s
SI 4 ZK	4	M4×0.7	7	5.25	8	8	14	31	24	4	8	9.5	9.525	6.5	13	3.0	5.0	0.009
SI 5 ZK	5	M5×0.8	8	6	9	10	16	35	27	4	8.5	11	11.11	7.70	13	3.25	5.70	0.016
SI 6 ZK	6	M6×1.0	9	6.75	11	12	18	39	30	5	10	13	12.70	8.96	13	4.3	7.20	0.022
SI 8 ZK	8	M8×1.25	12	9	14	16	22	47	36	5	12.5	16	15.875	10.4	14	7.2	11.6	0.047
SI 10 ZK	10	M10×1.5	14	10.5	17	20	26	56	43	6.5	15	19	19.05	12.9	13	10	14.5	0.077
SI 10-1 ZK	10	M10×1.25	14	10.5	17	20	26	56	43	6.5	15	19	19.05	12.9	13	10	14.5	0.077
SI 12 ZK	12	M12×1.75	16	12	19	22	30	65	50	6.5	17.5	22	22.225	15.4	13	13.4	17	0.10
SI 12-1 ZK	12	M12×1.25	16	12	19	22	30	65	50	6.5	17.5	22	22.225	15.4	13	13.4	17	0.10
SI 14 ZK	14	M14×2.0	19	13.5	22	25	34	74	57	8	20	25	22.40	16.9	16	17	24	0.16
SI 14-1 ZK	14	M14×1.5	19	13.5	22	25	34	74	57	8	20	25	25.40	16.9	16	17	24	0.16
SI 16 ZK	16	M16×2.0	21	15	22	28	40	84	64	8	22	27	28.575	19.4	15	21.6	28.5	0.22
SI 16-1 ZK	16	M16×1.5	21	15	22	28	40	84	64	8	22	27	28.575	19.4	15	21.6	28.5	0.22
SI 18 ZK	18	M18×1.5	23	16.5	27	32	44	93	71	10	25	31	31.75	21.9	15	26	42.5	0.32
SI 20 ZK	20	M20×1.5	25	18	30	33	50	102	77	10	27.5	34	34.925	24.4	14	31.5	42.5	0.42
SI 22 ZK	22	M22×1.5	28	20	32	37	54	111	84	12	30	38	38.10	25.8	15	38	57	0.54
SI 25 ZK	25	M24×2.0	31	22	36	42	60	124	94	12	33.5	42	42.86	29.6	15	47.5	68	0.73
SI 28 ZK	28	M27×2.0	35	24	41	48	66	136	103	14	37	46	47.63	32.3	15	58	75	0.98
SI 30 ZK	30	M30×2.0	37	25	41	51	70	145	110	15	40	50	50.8	34.8	17	64	88	1.10
SI 30-1 ZK	30	M27×2.0	37	25	41	51	70	145	110	15	40	50	50.8	34.8	17	64	88	1.10

-For left-hand thread, please add suffix"L", e.g. SIL 8 ZK.

-若是左旋螺纹，轴承型号需加“L”，例如：SIL 8 ZK。

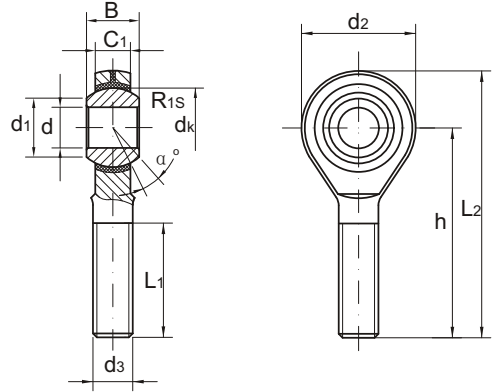
Rod ends SA..ZK

杆端关节轴承

Maintenance-free 无润滑

- Rod body with right or left-hand male thread.
- With moulded Nylon/Teflon/Fiberglass compound insert .
- Surface of rod body zinc plated.

- 杆端体带有左旋或右旋的外螺纹。
- 外圈用注塑工艺成型。
- 杆端体表面镀锌。



Part No. 型号	Dimensions 尺寸mm												Load ratings 负荷KN		Weight 重量Kg
	d	d ₃ 6g	B	C ₁	L ₁ min	d ₂	h	L ₂	dk	R _{1s}	d ₁	α ≈	dyn. 动 C _d	stat. 静 C _s	
SA 5 ZK	5	M5×0.8	8	6	20	16	33	41	11.11	0.3	7.70	13	3.25	5.70	0.013
SA 6 ZK	6	M6×1.0	9	6.75	22	18	36	45	12.70	0.3	8.96	13	4.30	7.20	0.020
SA 8 ZK	8	M8×1.25	12	9	25	22	42	53	15.875	0.3	10.4	14	7.20	11.6	0.030
SA 10 ZK	10	M10×1.5	14	10.5	29	26	48	61	19.05	0.3	12.9	13	10	14.5	0.055
SA 12 ZK	12	M12×1.75	16	12	33	30	54	69	22.225	0.3	15.4	13	13.4	17	0.085
SA 12-1 ZK	12	M12×1.25	16	12	33	30	54	69	22.225	0.3	15.4	13	13.4	17	0.085
SA 14 ZK	14	M14×2.0	19	13.5	36	34	60	77	25.40	0.3	16.9	16	17	24	0.14
SA 16 ZK	16	M16×2.0	21	15	40	40	66	86	28.575	0.3	19.4	15	21.6	28.5	0.21
SA 16-1 ZK	16	M16×1.5	21	15	40	40	66	86	28.575	0.3	19.4	15	21.6	28.5	0.21
SA 18 ZK	18	M18×1.5	23	16.5	44	44	72	94	31.75	0.3	21.9	15	26	42.5	0.28
SA 20 ZK	20	M20×1.5	25	18	47	50	78	103	34.925	0.3	24.4	14	31.5	52.5	0.38
SA 22 ZK	22	M22×1.5	28	20	51	54	84	111	38.10	0.3	25.8	15	38	57	0.48
SA 25 ZK	25	M24×2.0	31	22	57	60	94	124	42.86	0.3	29.6	15	47.5	68	0.64
SA 28 ZK	28	M27×2.0	35	24	62	66	103	136	47.63	0.3	32.3	15	58	75.5	0.96
SA 30 ZK	30	M30×2.0	37	25	66	70	110	145	50.8	0.3	34.8	17	64	88	1.10

-For left-hand thread, please add suffix "L", e.g. SAL 8 ZK.

-若是左旋螺纹，轴承型号需加“L”，例如：SAL 8 ZK。

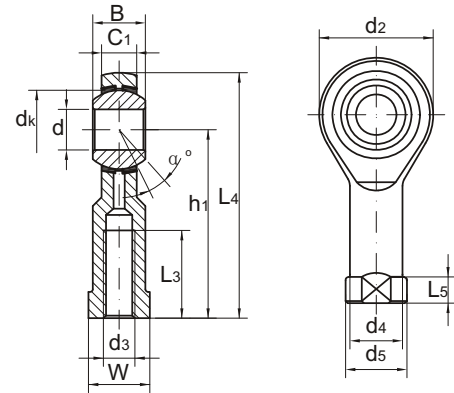
Rod ends SIZP..S

杆端关节轴承

Maintenance required, inch dimensions
需润滑，英制尺寸

- Rod body with right or left-hand female thread.
- Outer race lined with bronze liner.
- Surface of rod body zinc plated.
- In inch dimension series.

- 杆端体带有左旋或右旋的内螺纹。
- 外圈球面镶有青铜衬垫。
- 杆端体表面镀锌。
- 英制系列。



Part No. 型号	Dimensions 尺寸mm														Load ratings 负荷KN		Weight 重量Kg
	d	d ₃ 2B	B	C ₁	dk	d ₂	h ₁	L ₃ min	L ₄	L ₅	d ₄	d ₅	w	α ≈	dyn. 动 C _d	stat. 静 C _s	
SIZP 4 S	4.826	10-32	7.92	6.35	11.11	15.88	26.97	14.27	34.91	4.75	7.54	10.31	7.92	10	3.4	4.6	0.015
SIZP 6 S	6.35	1/4-28	9.53	7.14	12.70	19.05	33.32	19.05	42.85	4.75	9.15	11.91	9.53	13	4.5	7.7	0.025
SIZP 7 S	7.938	5/16-24	11.1	8.74	15.875	22.23	34.93	19.05	46.04	4.75	10.72	12.70	11.1	10	6.9	8.4	0.036
SIZP 9 S	9.525	3/8-24	12.7	10.31	19.05	25.40	41.28	23.80	53.98	6.35	13.89	17.45	14.27	9	9.4	10	0.061
SIZP 11 S	11.113	7/16-20	14.27	11.10	19.05	28.58	46.02	26.97	60.61	6.35	15.49	19.05	15.88	11	11	13	0.081
SIZP 12 S	12.70	1/2-20	15.88	12.70	22.225	33.32	53.98	30.15	70.64	6.35	18.67	22.23	19.05	9	15	19	0.133
SIZP 15 S	15.875	5/8-18	19.05	14.27	28.575	38.10	63.50	38.10	82.55	7.92	21.84	25.40	22.23	11	20	21	0.190
SIZP 19 S	19.05	3/4-16	22.23	17.45	31.75	44.45	73.03	44.45	95.25	7.92	25.02	28.58	25.4	10	29	29	0.285
SIZP 25 S	25.40	5/4-12	34.93	25.40	50.80	69.85	104.78	53.98	139.7	11.1	37.72	44.45	38.1	14	60	101	1.00

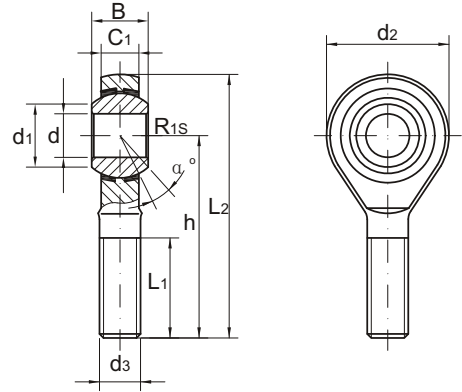
- For left-hand thread, please add suffix "L", e.g, SILZP 15 S.
- 若是左旋螺纹，轴承型号需加“L”，例如：SILZP 15 S。

Rod ends SAZP..S

杆端关节轴承

□ Maintenance required, inch dimensions
需润滑，英制尺寸

- Rod body with right or left-hand male thread.
- Outer race lined with bronze liner.
- Surface of rod body zinc plated.
- In inch dimension series.
- 杆端体带有左旋或右旋的外螺纹。
- 外圈球面镶有青铜衬垫。
- 杆端体表面镀锌。
- 英制系列。



Part No. 型号	Dimensions 尺寸mm											Load ratings 负荷KN		Weight 重量Kg
	d	d ₃ 3 _A	B	C ₁	d ₁	R _{1s}	d ₂	h	L ₁ min	L ₂	α ≈	dyn. 动 C _d	stat. 静 C _s	
SAZP 4 S	4.826	10-32	7.925	6.35	7.79	0.3	15.88	31.75	19.05	39.7	10	3.4	3.8	0.013
SAZP 6 S	6.350	1/4-28	9.525	7.14	8.40	0.3	19.05	39.67	25.40	49.2	13	4.5	6.6	0.022
SAZP 7 S	7.938	5/16-24	11.1	8.74	11.35	0.3	22.23	47.63	31.75	58.72	10	6.9	8.4	0.037
SAZP 9 S	9.525	3/8-24	12.70	10.31	14.20	0.6	25.40	49.23	31.75	61.93	9	9.4	10	0.055
SAZP 11 S	11.113	7/16-20	14.275	11.10	12.62	0.6	28.58	53.98	34.95	68.28	11	11	13	0.078
SAZP 12 S	12.70	1/2-20	15.875	12.70	15.55	0.6	33.32	61.93	38.10	78.59	9	15	19	0.12
SAZP 15 S	15.875	5/8-18	19.05	14.27	21.30	0.6	38.10	66.68	41.28	85.73	11	20	21	0.18
SAZP 19 S	19.05	3/4-16	22.225	17.45	22.67	0.6	44.45	73.03	44.45	95.25	10	29	29	0.29
SAZP 25 S	25.40	5/4-12	34.93	25.40	36.89	0.6	69.85	104.78	53.98	139.7	14	60	101	1.10

- For left-hand thread, please add suffix "L", e.g. SALZP 15 S.
- 若是左旋螺纹，轴承型号需加“L”，例如：SALZP 15 S。

Rod ends CF., CF..S

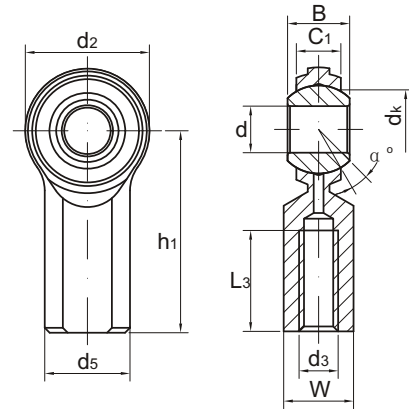
杆端关节轴承

Maintenance required, inch dimensions

需润滑，英制尺寸

- Rod body with right or left-hand female thread.
- Rod body pressed around inner ring.
- Surface of rod body zinc plated.
- In inch dimension series.

- 杆端体带有左旋或右旋的内螺纹。
- 杆端体挤压成型。
- 杆端体表面镀锌。
- 英制系列。



Part No. 型号	Dimensions 尺寸mm											Load ratings 负荷KN	Weight 重量Kg
	d	B	C ₁	h ₁	d ₂	d ₅	W	d _k	L ₃ min	d ₃ 2B	α ≈		
CF 3*	4.826	7.92	5.94	26.97	15.88	10.31	7.92	11.10	12.70	10-32	10	9.247	0.018
CF 4*	6.350	9.53	6.35	33.32	19.05	11.91	9.53	12.70	17.45	1/4-28	13.5	14.269	0.023
CF 5*	7.938	11.1	7.92	34.93	22.23	12.7	11.1	15.88	17.45	5/16-24	11	17.009	0.036
CF 6	9.525	12.7	9.12	41.28	25.40	17.45	14.27	18.26	20.62	3/8-24	11	22.627	0.059
CF 7	11.113	14.27	10.31	46.02	28.58	19.05	15.88	20.62	23.80	7/16-20	10.5	28.400	0.082
CF 8	12.70	15.88	11.50	53.98	33.32	22.23	19.05	23.80	26.97	1/2-20	10	40.459	0.132
CF 10	15.875	19.05	12.29	63.50	38.10	25.40	22.23	28.58	34.93	5/8-18	13	43.203	0.195
CF 12	19.05	22.23	15.06	73.03	44.45	28.58	25.40	33.32	39.67	3/4-16	12	63.193	0.295

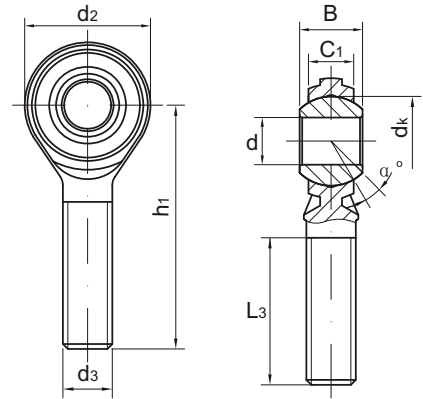
- For left-hand thread, please add suffix "L", e.g. please use the sign CFL 10.
- Lubricating hole or grease nipple isn't available for the sizes marked***. When grease nipple is required for other sizes, please use the sign CF..S.
- Load ratings only to rod ends without grease nipple.
- 若是左旋螺纹，轴承型号需加“L”，例如：CFL 10。
- 带有“*”的型号均不配油孔或油杯，其余若需配油杯，请用CF..S的代号。
- 表中负荷值仅使用不带油杯的情况。

Rod ends CM., CM..S

杆端关节轴承

□ Maintenance required, inch dimensions
需润滑，英制尺寸

- Rod body with right or left-hand male thread.
- Rod body pressed around inner ring.
- Surface of rod body zinc plated.
- In inch dimension series.
- 杆端体带有左旋或右旋的外螺纹。
- 杆端体挤压成型。
- 杆端体表面镀锌。
- 英制系列。



Part No. 型号	Dimensions 尺寸mm									Load ratings 负荷KN	Weight 重量Kg
	d	B	C ₁	h ₁	d ₂	d _k	L ₃ min	d ₃ 3A	α ≈		
CM 3*	4.826	7.92	5.94	31.75	15.88	11.1	19.05	10-32	10	5.355	0.014
CM 4*	6.350	9.53	6.35	39.67	19.05	12.7	25.40	1/4-28	13.5	9.839	0.018
CM 5*	7.938	11.1	7.92	47.63	22.23	15.88	31.75	5/16-24	11	15.910	0.032
CM 6	9.525	12.7	9.12	49.23	25.40	18.26	31.75	3/8-24	11	22.542	0.050
CM 7	11.113	14.27	10.31	53.98	28.58	20.62	34.93	7/16-20	10.5	28.223	0.068
CM 8	12.70	15.88	11.50	61.93	33.32	23.80	38.10	1/2-20	10	37.087	0.109
CM 10	15.875	19.05	12.29	66.68	38.10	28.58	41.28	5/8-18	13	43.203	0.163
CM 12	19.05	22.23	15.06	73.03	44.45	33.32	44.45	3/4-16	12	63.193	0.259

- For left-hand thread, please add suffix"L", e.g. CML 10.
- Lubricating hole or grease nipple isn't available for the sizes marked"*".
- When grease nipple is required for oter sizes, please use the sign CM..S.
- Load ratings apply only to rod ends without grease nipple.

- 若是左旋螺纹，轴承型号需加"L"，例如：CML 10。
- 带有 "*" 的型号均不配油孔或油杯，其余若需配油杯，请用CM..S的代号。
- 表中负荷值仅使用不带油杯的情况。

Rod ends JF., JF..S

杆端关节轴承

Maintenance required, inch dimensions

需润滑，英制尺寸

-Rod body with right or left-hand female thread.

-Outer race lined with bronze liner.

-Surface of rod body zinc plated.

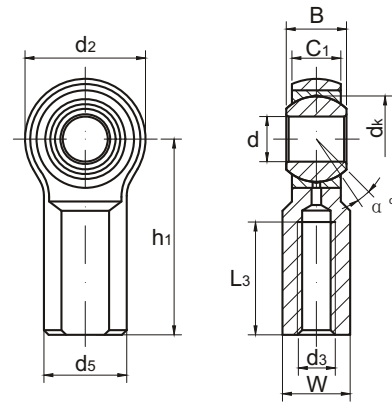
-In inch dimension series.

-杆端体带有左旋或右旋的内螺纹。

-外圈球面镶有青铜衬垫。

-杆端体表面镀锌。

-英制系列。



Part No. 型号	Dimensions 尺寸mm											Load ratings 负荷KN	Weight 重量Kg
	d	B	C ₁	h ₁	d ₂	d ₅	W	d _k	L ₃ min	d ₃ 2B	α ≈		
JF 2*	3.175	6.35	4.75	20.62	12.70	7.92	6.35	7.92	11.10	6-32	8	5.344	0.009
JF 3*	4.826	7.92	6.35	26.97	15.88	10.31	7.92	11.1	14.27	10-32	6.5	6.805	0.017
JF 4*	6.35	9.53	7.14	33.32	19.05	11.91	9.53	12.7	19.05	1/4-28	8	11.297	0.027
JF 5*	7.938	11.1	8.74	34.93	22.23	12.70	11.1	15.88	19.05	5/16-24	7	13.934	0.042
JF 6	9.525	12.7	10.31	41.28	25.40	17.45	14.27	18.26	23.80	3/8-24	6	17.416	0.069
JF 7	11.113	14.27	11.10	46.02	28.58	19.05	15.88	20.62	26.97	7/16-20	7	18.759	0.090
JF 8	12.70	15.88	12.70	53.98	33.32	22.23	19.05	23.80	30.15	1/2-20	6	29.624	0.149
JF 10	15.875	19.05	14.27	63.50	38.10	25.40	22.23	28.58	38.10	5/8-18	8	32.752	0.216
JF 12	19.05	22.23	17.45	73.03	44.45	28.58	25.40	33.32	44.45	3/4-16	7	51.237	0.328
JF 14	22.225	22.23	19.43	85.73	50.80	33.02	28.58	33.32	47.63	7/8-14	3.5	82.185	0.467
JF 14-1	22.225	22.23	17.45	88.90	50.80	33.32	30.15	33.32	46.02	7/8-14	6	101.601	0.467
JF 16	25.4	34.93	25.4	104.78	69.85	41.28	38.1	47.63	53.98	1 1/4-12	8.5	193.67	0.964
JF 16-1	25.4	34.93	25.4	104.78	69.85	41.28	38.1	47.63	53.98	1-14	8.5	193.67	1.093
JF 16-2	25.4	34.93	25.4	104.78	69.85	41.28	38.1	47.63	53.98	1-12	8.5	193.67	1.093

-For left-hand thread, please add suffix"L", e.g. JFL10.

-Lubricating hole or grease nipple isn't available for the sizes marked"*"

When grease nipple is required for other sizes, please use the sign JF..S.

-Load ratings apply only to rod ends without grease nipple.

-若是左旋螺纹，轴承型号需加“L”，例如：JFL10。

-带“*”的型号均不配油孔或油杯，其余若需配油杯，请用JF..S的代号。

-带中负荷值仅使用不带油杯的情况。

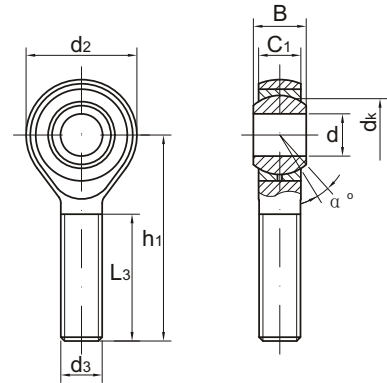
Rod ends JM., JM..S

杆端关节轴承

□ Maintenance required, inch dimensions
需润滑，英制尺寸

- Rod body with right or left-hand male thread.
- Outer race lined with bronze liner.
- Surface of rod body zinc plated.
- In inch dimension series.

- 杆端体带有左旋或右旋的外螺纹。
- 外圈球面镶有青铜衬垫。
- 杆端体表面镀锌。
- 英制系列。



Part No. 型号	Dimensions 尺寸mm									Load ratings 负荷KN	Weight 重量Kg
	d	B	C ₁	h ₁	d ₂	d _k	L ₃ min	d ₃ 3A	α ≈		
JM 2*	3.175	6.35	4.75	23.80	12.70	7.92	14.27	6-32	8	2.236	0.006
JM 3*	4.826	7.92	6.35	31.75	15.88	11.1	19.05	10-32	6.5	5.197	0.013
JM 4*	6.350	9.53	7.14	39.67	19.05	12.7	25.40	1/4-28	8	9.60	0.020
JM 5*	7.938	11.1	8.74	47.63	22.23	15.88	31.75	5/16-24	7	12.385	0.033
JM 6	9.525	12.7	10.31	49.23	25.40	18.26	31.75	3/8-24	6	17.416	0.051
JM 7	11.113	14.27	11.10	53.98	28.58	20.62	34.93	7/16-20	7	18.759	0.073
JM 8	12.70	15.88	12.70	61.93	33.32	23.80	38.10	1/2-20	6	29.624	0.113
JM 10	15.875	19.05	14.27	66.68	38.10	28.58	41.28	5/8-18	8	32.752	0.173
JM 12	19.05	22.23	17.45	73.03	44.45	33.32	44.45	3/4-16	7	51.237	0.273
JM 14	22.225	22.23	19.43	85.73	50.80	33.32	50.80	7/8-14	3.5	82.185	0.411
JM 14-1	22.225	22.23	17.45	85.73	50.80	33.32	47.63	7/8-14	6	101.601	0.411
JM 16	25.4	34.93	25.4	104.78	69.85	47.63	53.98	11/4-12	8.5	193.67	1.091
JM 16-1	25.4	34.93	25.4	104.78	69.85	47.63	53.98	1-14	8.5	193.67	0.965
JM 16-2	25.4	34.93	25.4	104.78	69.85	47.63	53.98	1-12	8.5	193.67	0.965

- For left-hand thread, please add suffix"L", e.g. JML 10.
- Lubricating hole or grease nipple isn't available for the sizes marked"*"
- When grease nipple is required for other sizes, please use the sign JM..S.
- Load ratings apply only to rod ends without grease nipple.

- 若是左旋螺纹，轴承型号需加“L”，例如：JML 10。
- 带“*”的型号均不配油孔或油杯，其余若需配油杯，请用JM..S的代号。
- 带中负荷值仅使用不带油杯的情况。

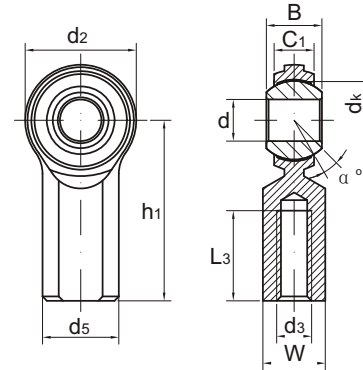
Rod ends CF..T

杆端关节轴承

Maintenance-free, inch dimensions

需润滑，英制尺寸

- Rod body with right or left-hand female thread.
- Rod body pressed around inner ring.
- Surface of rod body zinc plated.
- Outer race lined with PTFE fabric.
- 杆端体带有左旋或右旋的内螺纹。
- 杆端体挤压成型。
- 杆端体表面镀锌。
- 外圈内球面粘贴PTFE织物。



Part No. 型号	Dimensions 尺寸mm											Load ratings 负荷KN	Weight 重量Kg
	d	B	C ₁	h ₁	d ₂	d ₅	w	d _k	L ₃ min	d ₃ 2B	α ≈		
CF 3 T	4.826	7.92	5.94	26.97	15.875	10.31	7.92	11.1	12.7	10-32	10	8.02	0.018
CF 4 T	6.35	9.53	6.35	33.32	19.05	11.89	9.53	12.7	17.45	1/4-28	13.5	16.082	0.023
CF 5 T	7.938	11.1	7.92	34.93	22.23	12.70	11.10	15.88	17.45	5/16-24	11	28.693	0.036
CF 6 T	9.525	12.7	9.12	41.28	25.40	17.45	14.27	18.26	20.62	3/8-24	11	38.371	0.059
CF 7 T	11.113	14.27	10.31	46.02	28.58	19.05	15.88	20.62	23.80	7/16-20	10.5	41.676	0.082
CF 8 T	12.70	15.88	11.50	53.98	33.32	22.23	19.05	23.80	26.97	1/2-20	10	67.299	0.132
CF 10 T	15.875	19.05	12.29	63.50	38.10	25.40	22.23	28.58	34.93	5/8-18	13	75.271	0.195
CF 12 T	19.05	22.23	15.06	73.03	44.45	28.58	25.40	33.32	39.67	3/4-16	12	113.642	0.295

-For left-hand thread, please add suffix "L", e.g. CFL 10 T.

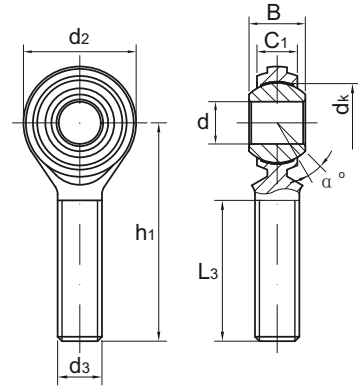
-若是左旋螺纹，轴承型号需加“L”，例如：CFL 10 T.

Rod ends CM..T

杆端关节轴承

□ Maintenance-free, inch dimensions
无润滑，英制尺寸

- Rod body with right or left-hand male thread.
- Rod body pressed around inner ring.
- Surface of rod body zinc plated.
- Outer race lined with PTFE fabric.
- 杆端体带有左旋或右旋的外螺纹。
- 杆端体挤压成型。
- 杆端体表面镀锌。
- 外圈内球面粘贴PTFE织物。



Part No. 型号	Dimensions 尺寸mm									Load ratings 负荷KN	Weight 重量Kg
	d	B	C ₁	h ₁	d ₂	d _k	L ₃ min	d ₃ 3A	α ≈		
CM 3 T	4.826	7.92	5.94	31.75	15.875	11.1	19.05	10-32	10	8.02	0.014
CM 4 T	6.35	9.53	6.35	39.67	19.05	12.7	25.4	1/4-28	13.5	16.082	0.018
CM 5 T	7.938	11.1	7.92	47.63	22.23	15.88	31.75	5/16-24	11	28.693	0.032
CM 6 T	9.525	12.7	9.12	49.23	25.40	18.26	31.75	3/8-24	11	38.371	0.050
CM 7 T	11.113	14.27	10.31	53.98	28.58	20.62	34.93	7/16-20	10.5	41.676	0.068
CM 8 T	12.70	15.88	11.50	61.93	33.32	23.80	38.10	1/2-20	10	67.299	0.109
CM 10 T	15.875	19.05	12.29	66.68	38.10	28.58	41.28	5/8-18	13	75.271	0.163
CM 12 T	19.05	22.23	15.06	73.03	44.45	33.32	44.45	3/4-16	12	113.642	0.259

-For left-hand thread, please add suffix "L", e.g. CML 5 T.

-若是左旋螺纹，轴承型号需加 "L"，例如：CML 5 T。

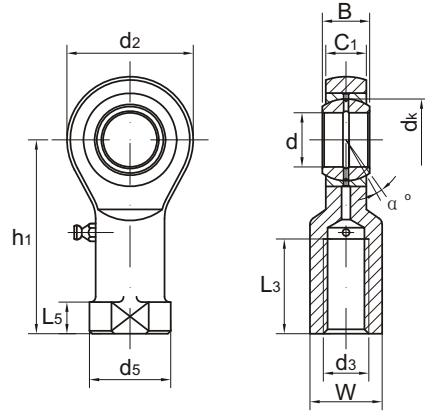
Rod ends KF..

杆端关节轴承

Maintenance required, inch dimension, heavy duty

需润滑，英制尺寸，重负载

- Rod body with right or left-hand female thread.
- It is made up of a radial spherical plain bearing GEZ..ES or GEZ..ES 2RS and rod body.
- Surface of rod body zinc plated, rod boy with a grease nipple.
- In inch dimensions series.
- 杆端体带有左旋或右旋的内螺纹。
- 由杆端体和向心关节轴承GEZ..ES或GEZ..2RS组成。
- 杆端体表面镀锌，带有油杯。
- 英制系列。



Part No. 型号	Dimensions 尺寸mm												Load ratings 负荷KN	Weight 重量Kg
	d	B	c ₁	h ₁	d ₂	d ₅	W	L ₅	L _k	L ₃ min	d ₃ 2B	α ≈		
KF 20-1	31.75	27.762	23.80	104.8	69.85	41.28	38.10	12.70	45.59	53.98	1 1/4-12	3.5	197.91	0.964
KF 24-1	38.10	33.325	28.575	136.5	88.90	57.15	50.80	22.23	54.74	66.68	1 1/2-12	3.2	288.06	2.95
KF 32-1	50.80	44.450	38.10	203.2	127	79.38	69.85	52.37	73.03	101.6	2-12	3.0	682.82	6.80

-For left-hand thread please add suffix"L", e.g. KFL 24-1.

-若是左旋螺纹，轴承型号需加“L”，例如：KFL 24-1。

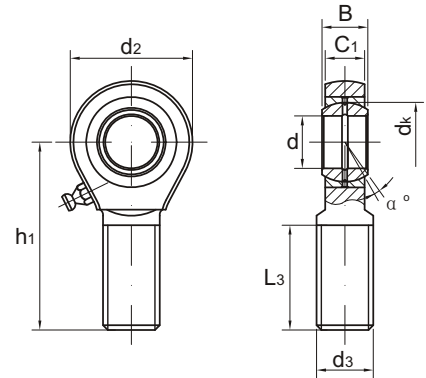
Rod ends KM..

杆端关节轴承

Maintenance required, inch dimensions, heavy duty

需润滑，英制尺寸，重负载

- Rod body with right or left-hand male thread.
- It is made up of a radial spherical plain bearing GEZ..ES or GEZ..ES 2RS and rod body.
- Surface of rod body zinc plated, rod body with a grease nipple.
- In inch dimensions series.
- 杆端体带有左旋或右旋的外螺纹。
- 由杆端体和向心关节轴承GEZ..ES或GEZ..ES 2RS组成。
- 杆端体表面镀锌，带有油杯。
- 英制系列。



Part No. 型号	Dimensions 尺寸mm									Load ratings 负荷KN	Weight 重量Kg
	d	B	c1	h1	d2	Dk	L3 min	d3 3A	α ≈		
KM 20-1	31.75	27.762	23.80	104.8	69.85	45.59	53.98	1 1/4-12	3.5	197.91	1.09
KM 24-1	38.10	33.325	28.575	136.5	88.90	54.74	76.20	1 1/2-12	3.2	288.06	2.15
KM 32-1	50.80	44.450	38.10	203.2	127	73.03	114.3	2-12	3.0	682.82	6.46

-For left-hand thread, please add suffix"L", e.g. KML 24-1.

-若是左旋螺纹，轴承型号需加“L”，例如：KML 24-1。

Rod ends with studs CF..Y, CF..YS

杆端关节轴承

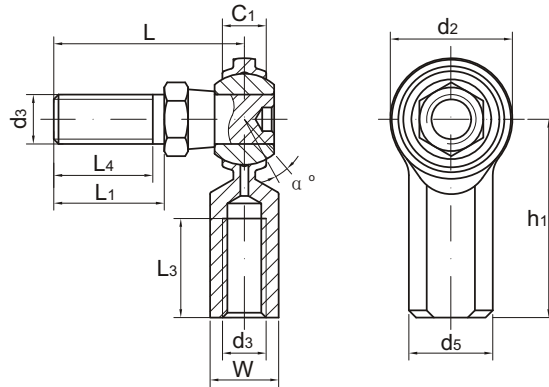
Maintenance required, inch dimensions
需润滑，英制尺寸

-Rod end CF with thread stud.

-Surface zinc plated.

-杆端关节轴承CF带有螺旋纹杆。

-表面镀锌。



Part No. 型号	Dimensions 尺寸mm											Load ratings 负荷KN	Weight 重量Kg
	C1	h1	d2	D5	w	L3 min	L	L1	L4	d3 3A/2B	α ≈		
CF 3Y*	5.94	26.97	15.88	10.31	7.92	12.70	25.40	12.70	11.10	10-32	25	9.247	0.023
CF 4Y	6.35	33.32	19.05	11.91	9.53	17.45	26.19	14.27	12.70	1/4-28	25	14.269	0.027
CF 5Y	7.92	34.93	22.23	12.70	11.10	17.45	30.96	17.45	15.06	5/16-24	25	17.009	0.050
CF 6Y	9.12	41.28	25.40	17.45	14.27	20.62	39.67	23.01	20.62	3/8-24	25	22.627	0.077
CF 7Y	10.31	46.02	28.58	19.05	15.88	23.80	44.45	26.97	23.80	7/16-20	25	28.400	0.122
CF 8Y	11.50	53.98	33.32	22.23	19.05	26.97	50.8	28.58	25.40	1/2-20	25	40.459	0.181
CF 10Y	12.29	63.50	38.10	25.40	22.23	34.93	63.5	38.10	34.93	5/8-18	25	43.203	0.308
CF 12Y	15.06	73.03	44.45	28.58	25.40	39.67	76.2	46.02	41.28	3/4-16	25	63.193	0.504

-For left-hand thread please add suffix"L", e.g. CFL 10Y.

-Lubricating hole or grease nipple isn't available for the sizes marked***

When grease nipple is required for other sizes, please use the sign CF..YS.

-Load ratings apply only to rod ends without grease nipple.

-若是左旋螺纹,轴承型号需加“L”,例如: CFL10Y。

-带“***”的型号均不配油孔或油杯。其余若需配油杯,请用CF..YE的代号

-带中负荷值仅使用不带油杯的情况。

Rod ends with studs CM..Y, CM..YS

杆端关节轴承

□ Maintenance required, inch dimensions

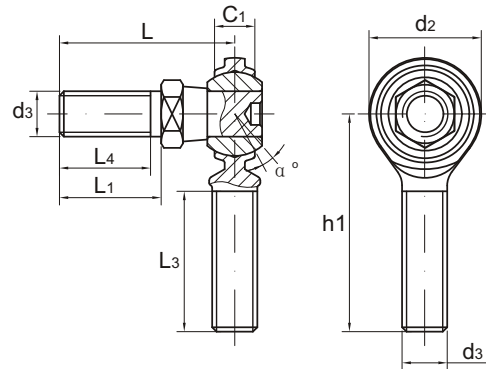
需润滑，英制尺寸

-Rod end CM with thread stud.

-Surface zinc plated.

-杆端关节轴承CM带有螺纹杆。

-表面镀锌。



Part No. 型号	Dimensions 尺寸mm									Load ratings 负荷KN	Weight 重量Kg
	C ₁	h ₁	d ₂	L ₃ min	L	L ₁	L ₄	d ₃ 3A	α ≈		
CM 3Y*	5.94	31.75	15.88	19.05	25.40	12.70	11.10	10-32	25	5.355	0.018
CM 4Y*	6.35	39.67	19.05	25.40	26.19	14.27	12.70	1/4-28	25	9.839	0.023
CM 5Y*	7.92	47.63	22.23	31.75	30.96	17.45	15.06	5/16-24	25	15.91	0.045
CM 6Y	9.12	49.23	25.40	31.75	39.67	23.01	20.62	3/8-24	25	22.542	0.068
CM 7Y	10.31	53.98	28.58	34.93	44.45	26.97	23.80	7/16-20	25	28.223	0.109
CM 8Y	11.50	61.93	33.32	38.10	50.80	25.58	25.40	1/2-20	25	37.087	0.159
CM 10Y	12.29	66.68	38.10	41.28	63.50	38.10	34.93	5/8-18	25	43.023	0.277
CM 12Y	15.06	73.03	44.45	44.45	76.20	46.02	41.28	3/4-16	25	63.193	0.467

-For left-hand thread, please add suffix "L", e.g. CML10Y.

-Lubricating hole or grease nipple isn't available for the sizes marked "*"

When grease nipple is required for other sizes, please use the sign CM..YS.

-Load ratings apply only to rod ends without grease nipple.

-若是左旋螺纹, 轴承型号需加“L”, 例如: CML 10Y。

-带“*”的型号均不配油孔或油杯, 其余若需配油杯, 请用CM..YS的代号。

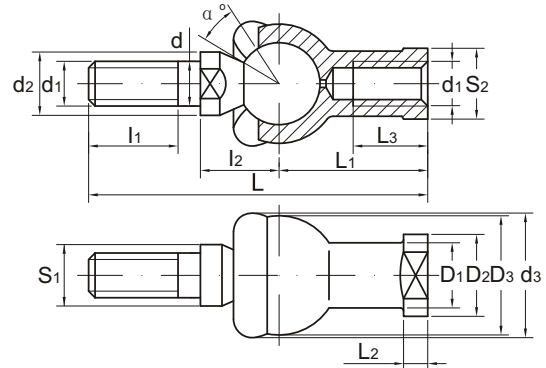
-带中负荷值仅使用不带油杯的情况。

Ball joints SQZ..RS

球头杆端关节轴承

□ Straight joint

- Ball joint housing with right or left-hand thread.
- Ball joint housing made of zinc base alloy.
- With rubber dust seal.
- 球头座带有左旋或右旋的螺纹。
- 球头座由锌基合金制成。
- 带橡胶密封圈。



Part No. 型号	Dimensions 尺寸mm																Load ratings 负荷KN	Weight 重量Kg
	d	d ₁	d ₂	d ₃	l ₁	l ₂	S ₁	L	L ₁	L ₂	L ₃	D ₁	D ₂	D ₃	S ₂	α ≈		
SQZ 5 RS	5	M5×0.8	9	20	8	11	7	46	24	4	12	9	11	17	9	15	2.8	0.025
SQZ 6 RS	6	M6×1.0	10	20	11	12.2	8	55.2	28	5	15	10	13	20	11	15	3.7	0.041
SQZ 8 RS	8	M8×1.25	12	24	12	16	10	65	32	5	16	12.5	16	24	14	15	5.8	0.075
SQZ 10 RS	10	M10×1.5	14	30	21	19.5	11	80.5	35	6.5	18	15	19	28	17	15	8.4	0.12
SQZ 10 RS-1	10	M10×1.25	14	30	15	19.5	11	74.5	35	6.5	18	15	19	28	17	15	8.4	0.12
SQZ 12 RS	12	M12×1.75	17	32	24	21	15	91	40	6.5	20	17.5	22	32	19	15	11	0.18
SQZ 12 RS-1	12	M12×1.25	17	32	17	21	15	84	40	6.5	20	17.5	22	32	19	15	11	0.18
SQZ 14 RS	14	M14×2.0	19	38	28	23.5	17	109	45	8	25	20	25	36	22	11	15	0.27
SQZ 14 RS-1	14	M14×1.5	19	38	22	23.5	17	103	45	8	25	20	25	36	22	11	15	0.27
SQZ 16 RS	16	M16×2.0	22	44	29	25.5	19	118	50	8	27	22	27	40	22	11	15	0.36
SQZ 16 RS-1	16	M16×1.5	22	44	23	25.5	19	112	50	8	27	22	27	40	22	11	15	0.36
SQZ 18 RS	18	M18×1.5	23	45	25	31	20	130.5	58	10	32	25	31	45	27	11	19	0.54
SQZ 20 RS	20	M20×1.5	27	50	25	29	24	133	63	10	38	27.5	34	45	30	7.5	19	0.57
SQZ 22 RS	22	M22×1.5	27	52	26	33	24	145	70	12	43	30	37	50	32	7.5	23	0.76

-For left-hand thread of the ball joint housing, please add suffix "L", e.g. SQZL 5 RS.

-The type number of ball joints without seal is SQZ...

-球头座杆螺纹若是左旋，轴承型号须加“L”，例如：SQZL 5 RS.

-不带密封罩产品型号为SQZ..。

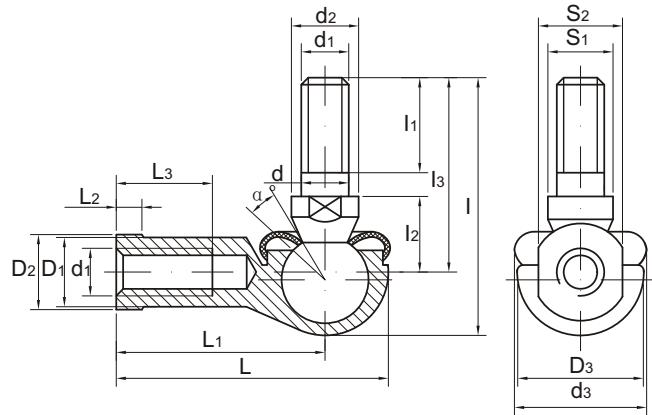
Ball joints SQ..RS

球头杆端关节轴承

□ Angle joint

- Ball joint housing with right or left-hand thread.
- Ball joint housing made of zinc base alloy.
- With rubber dust seal.

- 球头座带有左旋或右旋的螺纹。
- 球头座由锌基合金制成。
- 带橡胶密封圈。



Part No. 型号	Dimensions 尺寸mm																			Load ratings 负荷KN	Weight 重量Kg
	d	d ₁	d ₂	d ₃	l	l _{1 min}	l ₂	l ₃	S ₁	L	L ₁	L ₂	L _{3 min}	D ₁	D ₂	D ₃	S ₂	α ≈			
SQ 5 RS	5	M5×0.8	9	19	29	8	10	21	7	35	27	4	14	9	11	16	9	25	2.2	0.026	
SQ 6 RS	6	M6×1.0	10	20	35.5	11	11	26	8	40	30	5	14	10	13	19	11	25	3.5	0.039	
SQ 8 RS	8	M8×1.25	12	24	42.5	12	14	31	10	48	36	5	17	12.5	16	23	14	25	6.6	0.068	
SQ 10 RS	10	M10×1.5	14	30	56.5	21	17	43	11	57	43	6.5	21	15	19	27	17	25	10	0.112	
SQ 10 RS -1	10	M10×1.25	14	30	50.5	15	17	37	11	57	43	6.5	21	15	19	27	17	25	10	0.112	
SQ 12 RS	12	M12×1.75	17	32	64.5	24	19	49	15	66	50	6.5	25	17.5	22	31	19	25	16	0.164	
SQ 12 RS-1	12	M12×1.25	17	32	57.5	17	19	42	15	66	50	6.5	25	17.5	22	31	19	25	16	0.164	
SQ 14 RS	14	M14×2.0	19	38	79.5	28	21.5	62	17	75	57	8	26	20	25	35	22	25	19	0.254	
SQ 14 RS-1	14	M14×1.5	19	38	73.5	22	21.5	56	17	75	57	8	26	20	25	35	22	25	19	0.254	
SQ 16 RS	16	M16×2.0	22	44	85.5	29	23.5	66	19	84	64	8	32	22	27	39	22	20	26	0.336	
SQ 16 RS-1	16	M16×1.5	22	44	79.5	23	23.5	60	19	84	64	8	32	22	27	39	22	20	26	0.336	
SQ 18 RS	18	M18×1.5	23	45	90	25	26.5	68	20	93	71	10	34	25	31	44	27	20	33	0.464	
SQ 20 RS	20	M20×1.5	27	50	90	25	27	68	24	99	77	10	35	27.5	34	44	30	20	45	0.538	
SQ 22 RS	22	M22×1.5	27	52	95	26	28	70	24	109	84	12	41	30	37	50	32	16	48	0.713	

-For left-hand thread of the ball joint housing, please add suffix "L", e.g. SQL 5 RS.

-The type number of ball joints without seal is SQ...

-球头座杆螺纹若是左旋, 轴承型号须加“L”, 例如: SQL 5 RS。

-不带密封罩产品型号为SQ..

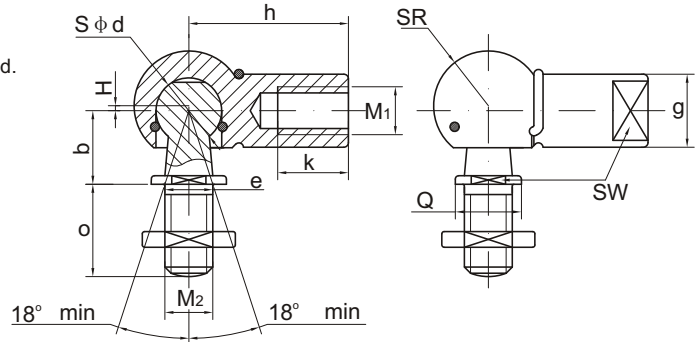
Ball joints SQP..S

球头杆端关节轴承

□ Angle joint, clip locking

- Ball joint housing in carbon steel, with right or left-hand thread.
- Surface zinc plated.
- Greased filled in the ball joint socket.

- 球头座体材料为碳钢，带有左旋或右旋的螺纹。
- 表面镀锌。
- 座体内腔填充油脂。



Part No. 型号	Dimensions 尺寸mm													Load ratings 负荷KN	Weight 重量Kg
	Q	M1 6H	M2 6g	b	c	d	e	g	h	H	k min	SW	SR		
SQP 5 S	8	M5×0.8	M5×0.8	9	10	8	5	8	22	0.7	10.2	7	6.4	15.2	0.014
SQP 6 S	10	M6×1.0	M6×1.0	11	12.5	10	6	10	25	0.7	11.5	8	7.4	25.2	0.024
SQP 8 S	13	M8×1.25	M8×1.25	13	16.5	13	8	13	30	1.16	14.0	11	9.65	53.1	0.053
SQP 10 S	16	M10×1.25	M10×1.25	16	20	16	10	16	35	1.16	15.5	13	12	103.8	0.097
SQP 12 S	16	M12×1.75	M12×1.75	16	20	16	12	16	35	1.16	15.5	13	12	103.8	0.097
SQP 14 S	22	M14×2.0	M14×2.0	20	27	19	14	22	45	1.5	21.5	17	15	220.9	0.218
SQP 14-1 S	22	M14×1.5	M14×1.5	20	27	19	14	22	45	1.5	21.5	17	15	220.9	0.218

- For left-hand thread, please add suffix "L", e.g. SQPL 14 S.
- 若是左旋螺纹，轴承型号需加“L”，例如：SQPL 14 S。

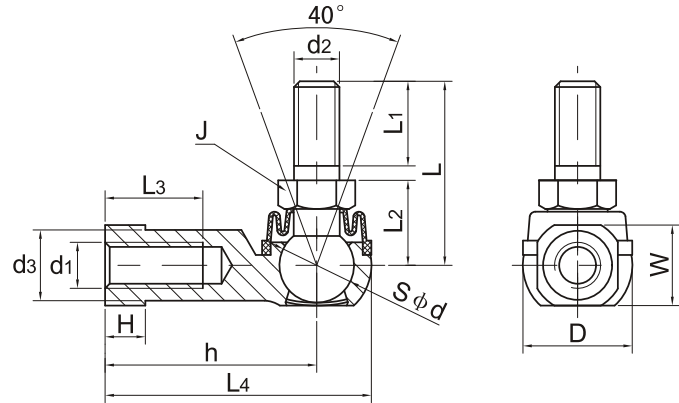
Ball joints BL..D/BD

球头杆端关节轴承

□ Angle joint

- Ball joint housing with right or left-hand thread.
- Ball joint housing made of zinc base alloy.
- With rubber dust seal.

- 球头座带有左旋或右旋的螺纹。
- 球头座由锌基合金制成。
- 带橡胶密封圈



Part No. 型号	Dimensions 尺寸mm														Load ratings 负荷KN	Weight 重量Kg
	d ₁	d ₂	d ₃	L ₁ min	L	L ₂	L ₃ min	L ₄	h	H	W	D	J	Sφd		
BL 6 D	M6×1.0	M6×1.0	10	11	11	26	16	38	30	5	11	16	10	11.11	9.9	0.037
BL 8 D	M8×1.25	M8×1.25	13	12	14	31	19	45.5	36	6	14	19	12	12.7	12.5	0.066
BL10BD	M10×1.5	M10×1.5	14.5	21	17	43	23	55.5	43	7	17	23	14	15.88	18.3	0.11
BL10D	M10×1.25	M10×1.25	14.5	15	17	37	23	55.5	43	7	17	23	14	15.88	18.3	0.11
BL12BD	M12×1.75	M12×1.75	17.5	24	19	49	26	64.5	50	8	19	26	17	19.05	26.7	0.16
BL12D	M12×1.25	M12×1.25	17.5	17	19	42	26	64.5	50	8	19	26	17	19.05	26.7	0.16
BL16BD	M16×2	M16×2	22	29	23.5	66	34	83	64	11	24	34	22	22.23	36.4	0.33
BL16D	M16×1.5	M16×1.5	22	23	23.5	60	34	83	64	11	24	34	22	22.23	36.4	0.33

-For left-hand thread of the ball joint housing, please add suffix "L", e.g. BL 8DL.

-球头座杆螺纹若是左旋,轴承型号须加"L", 例如: BL 8DL。

Rod ends for hydraulic components GIHR..DO



用于液压部件的杆端关节轴承

Maintenance required, with female thread

需润滑，内螺纹

-Rod end housing with right or left-hand female thread.

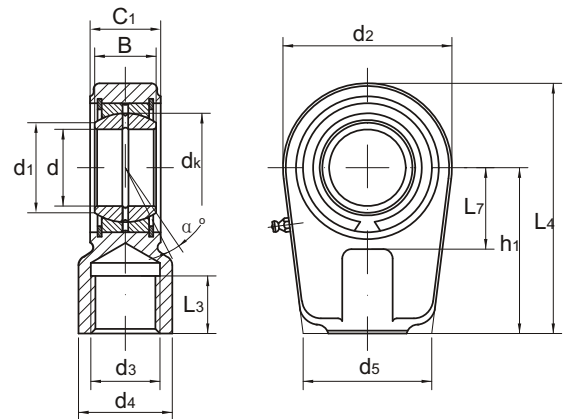
-It is made up of a radial spherical plain bearing GE..ES or GE..ES 2RS and rod end housing.

-Rod end housing with a lubricating hole or grease nipple.

-杆端座体带有左旋或右旋的内螺纹。

-由向心关节轴承GE..ES 或 GE..ES 2RS 和杆端座体组成。

-杆端座体带有润滑油孔或油杯。



Part No. 型号	Dimensions 尺寸mm														Load ratings 负荷KN		Weight 重量Kg
	d	d ₃ 6H	d ₄	L ₃ min	B	C ₁	d ₂	L ₇ min	h ₁	L ₄	d ₅	d ₁	d _k	α ≈	Dyn. 动 C _d	stat. 静 C _s	
GIHR 20 DO	20	M16×1.5	25	17	16	19	56	25	50	80	46	24.2	29.0	9	30	72	0.43
GIHR 25 DO	25	M16×1.5	25	17	20	23	56	28	50	80	46	29.3	35.5	7	48	72	0.48
GIHR 30 DO	30	M22×1.5	32	23	22	28	64	30	60	94	50	34.2	40.7	6	62	106	0.74
GIHR 35 DO	35	M28×1.5	40	29	25	30	78	38	70	112	66	39.8	47	6	80	153	1.2
GIHR 40 DO	40	M35×1.5	49	36	28	35	94	45	85	135	76	45.0	53	7	100	250	2.0
GIHR 50 DO	50	M45×1.5	61	46	35	40	116	55	105	168	90	55.9	66	6	156	365	3.8
GIHR 60 DO	60	M58×1.5	75	59	44	50	130	65	130	200	120	66.8	80	6	245	400	5.4
GIHR 70 DO	70	M65×1.5	86	66	49	55	154	75	150	232	130	77.9	92	6	315	540	8.5
GIHR 80 DO	80	M80×2.0	105	81	55	60	176	80	170	265	160	89.4	105	6	400	670	12.0
GIHR 90 DO	90	M100×2.0	124	101	60	65	206	90	210	323	180	98.1	115	5	490	980	21.5
GIHR 100 DO	100	M110×2.0	138	111	70	70	231	105	235	360	200	109.5	130	7	610	1120	27.5
GIHR 110 DO	110	M120×3.0	152	125	70	80	266	115	265	407.5	220	121.2	140	6	655	1700	40.5
GIHR 120 DO	120	M130×3.0	172	135	85	90	340	140	310	490	257	135.5	160	6	950	2900	76.0

-For left-hand thread, please add suffix "L", e.g. GIHL 40 DO.

-若是左旋螺纹，轴承型号需加“L”，例如：GIHL 40 DO。

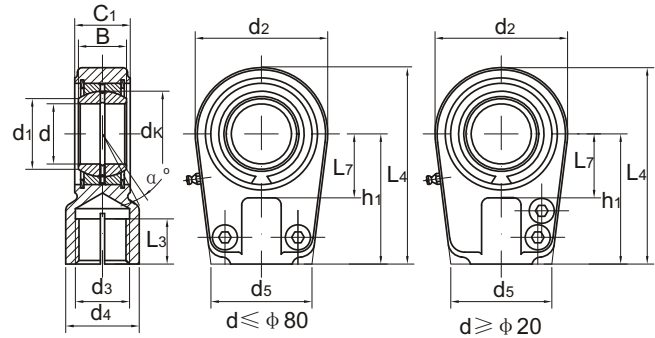
Rod ends for hydraulic components GIHR-K..DO

用于液压部件的杆端关节轴承

□ Maintenance required, with female thread and locking nuts

需润滑，内螺纹，带紧定螺栓。

- Rod end housing with right or left-hand female thread.
- It is made up of a radial spherical plain bearing GE..ES or GE..ES 2RS and rod end housing.
- With locking slot and nut.
- Rod end housing with a lubricating hole or grease nipple.
- 杆端座体带有左旋或右旋的内螺纹。
- 由向心关节轴承GE..ES或GE..ES 2RS 和杆端座体组成。
- 带锁紧口和紧定螺栓。
- 杆端座体带有润滑油孔或油杯。



Part No. 型号	Dimensions 尺寸mm														Load ratings 负荷KN		Weight 重量Kg
	d	d ₃ 6H	d ₄	L ₃ min	B	C ₁	d ₂	L ₇ min	h ₁	L ₄	d ₅	d ₁	d _k	α ≈	dyn. 动 C _d	stat. 静 C _s	
GIHR-K 20 DO	20	M16×1.5	25	17	16	19	56	25	50	80	46	24.2	29.0	9	30	72	0.43
GIHR-K 25 DO	25	M16×1.5	25	17	20	23	56	28	50	80	46	29.3	35.5	7	48	72	0.48
GIHR-K 30 DO	30	M22×1.5	32	23	22	28	64	30	60	94	50	34.2	40.7	6	62	106	0.74
GIHR-K 35 DO	35	M28×1.5	40	29	25	30	78	38	70	112	66	39.8	47	6	80	153	1.2
GIHR-K 40 DO	40	M35×1.5	49	36	28	35	94	45	85	135	76	45.0	53	7	100	250	2.0
GIHR-K 50 DO	50	M45×1.5	61	46	35	40	116	55	105	168	90	55.9	66	6	156	365	3.8
GIHR-K 60 DO	60	M58×1.5	75	59	44	50	130	65	130	200	120	66.8	80	6	245	400	5.4
GIHR-K 70 DO	70	M65×1.5	86	66	49	55	154	75	150	232	130	77.9	92	6	315	540	8.5
GIHR-K 80 DO	80	M80×2.0	105	81	55	60	176	80	170	265	160	89.4	105	6	400	670	12.0
GIHR-K 90 DO	90	M100×2.0	124	101	60	65	206	90	210	323	180	98.1	115	5	490	980	21.5
GIHR-K 100 DO	100	M110×2.0	138	111	70	70	230	105	235	360	200	109.5	130	7	610	1120	27.5
GIHR-K 110 DO	110	M120×3.0	152	125	70	80	266	115	265	407.5	220	121.2	140	6	655	1700	40.5
GIHR-K 120 DO	120	M130×3.0	172	135	85	90	340	140	310	490	257	135.5	160	6	950	2900	76.0

-For left-hand thread, please add suffix "L", e.g. GIHL-K 30 DO.

-若是左旋螺纹，轴承型号需加“L”，例如：GIHL-K 30 DO。

Rod ends for hydraulic components GIHN-K..LO



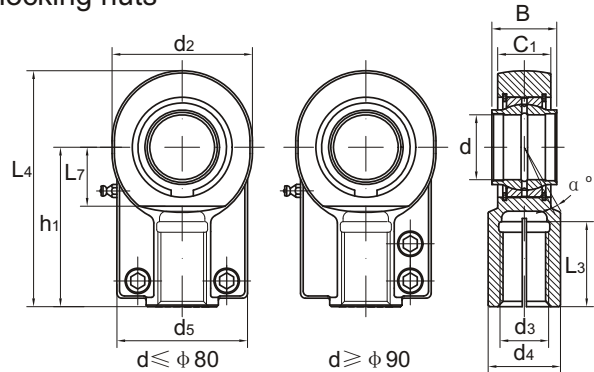
用于液压部件的杆端关节轴承

□ Maintenance required, with female thread and locking nuts

需润滑，内螺纹，带螺栓。

- Rod end housing with right or left-hand female thread .
- It is made up of a radial spherical plain bearing GE .. LO and rod end housing .
- With locking slot and nut .
- Rod end housing with a lubricating hole or grease nipple .

- 杆端座体带有左旋或右旋的内螺纹。
- 由向心关节轴承GE..LO和杆端座体组成。
- 带锁紧口和紧定螺栓。
- 杆端座体带有润滑油孔或油杯。



Part No. 型号	Dimensions 尺寸mm												Load ratings 负荷KN		Weight 重量Kg
	d	d ₃ 6H	d ₄	L ₃ min	B	C ₁	d ₂	L ₇ min	h ₁	L ₄	d ₅	C ₂	Dyn. 动 C _d	stat. 静 C _s	
GIHN-K 12 LO*	12	M12×1.25	16.5	17	12	11	32	14	38	54	32	11	10.8	24.5	0.10
GIHN-K 16 LO	16	M14×1.5	21	19	16	14	40	18	44	64	40	14	17.6	36.5	0.20
GIHN-K 20 LO	20	M16×1.5	25	23	20	17	47	22	52	77	47	17	30	48	0.40
GIHN-K 25 LO	25	M20×1.5	30	29	25	22	58	27	65	96	54	19	48	78	0.66
GIHN-K 32 LO	32	M27×2.0	38	37	32	28	71	32	80	118.5	66	22	67	114	1.20
GIHN-K 40 LO	40	M33×2.0	47	46	40	33	90	41	97	146	80	26	100	204	2.10
GIHN-K 50 LO	50	M42×2.0	58	57	50	41	109	50	120	179.5	96	32	156	310	4.40
GIHN-K 63 LO	63	M48×2.0	70	64	63	53	136	62	140	213	114	38	255	430	7.60
GIHN-K 70 LO	70	M56×2.0	80	76	70	57	155	70	160	245	135	42	315	540	9.50
GIHN-K 80 LO	80	M64×3.0	90	86	80	67	170	78	180	270.5	148	48	400	695	14.5
GIHN-K 90 LO	90	M72×3.0	100	91	90	72	185	85	195	296	160	52	490	750	17
GIHN-K 100 LO	100	M80×3.0	110	96	100	85	210	98	210	322	178	62	610	1060	28
GIHN-K 110 LO	110	M90×3.0	125	106	110	88	235	105	235	364	190	62	655	1200	32
GIHN-K 125 LO	125	M100×3.0	135	113	125	103	265	120	260	405	200	72	950	1430	43
GIHN-K 160 LO	160	M125×4.0	165	126	160	130	326	150	310	488	250	82	1370	2200	82.5

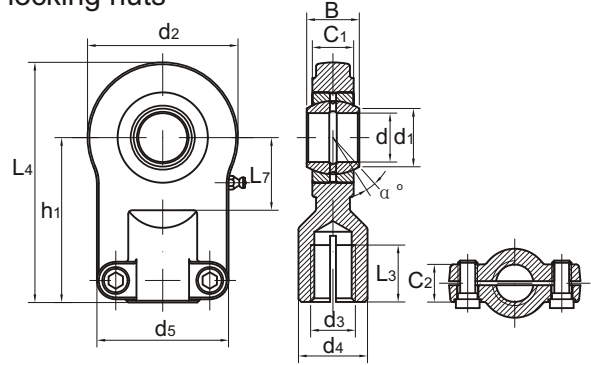
- For left-hand thread, please add suffix "L", e.g. GIHN-KL 12 LO.
- Relubrication not possible for the sizes marked "**".
- 若是左旋螺纹，轴承型号需加“L”，例如：GIHN-KL12 LO。
- 带“*”的型号均不能润滑。

Rod ends for hydraulic components GIHO-K..DO

用于液压部件的杆端关节轴承

☐ Maintenance required, with female thread and locking nuts
需润滑，内螺纹，带螺栓。

- Rod end housing with right or left-hand female thread.
- It is made up of a radial spherical plain bearing GE..ES or GE..ES 2RS and rod end housing.
- With locking slot and nut.
- Rod end housing with a lubricating hole or grease nipple.
- 杆端体带有左旋或右旋的内螺纹。
- 由向心关节轴承GE..ES或GE..ES 2R和杆端座体组成。
- 带锁紧口和紧定螺栓。
- 杆端座体带有润滑油孔和油杯。



Part No. 型号	Dimensions 尺寸mm															Load ratings 负荷KN		Weight 重量Kg
	d	d3 6H	d4	L3 min	B	C1	d2	L7 min	h1	L4	d5	d1	C2	α ≈	dyn. 动 Cd	stat. 静 Cs		
GIHO-K 12 DO*	12	M10×1.25	17	15	10	8	35	16	42	59.5	40	15.0	13	11	10.8	17.0	0.12	
GIHO-K 16 DO	16	M12×1.25	21	17	14	11	45	20	48	70.5	45	20.7	13	10	21.1	28.5	0.22	
GIHO-K 20 DO	20	M14×1.5	25	19	16	13	55	25	58	85.5	55	24.2	17	9	30	42.5	0.43	
GIHO-K 25DO	25	M16×1.5	30	23	20	17	65	30	68	100.5	62	29.3	17	7	48	67	0.67	
GIHO-K 30 DO	30	M20×1.5	36	29	22	19	80	35	85	125	77	34.2	19	6	62	108	1.25	
GIHO-K 40 DO	40	M27×2.0	45	37	28	23	100	45	105	155	90	45.0	23	7	100	156	2.16	
GIHO-K 50 DO	50	M33×2.0	55	46	35	30	120	58	130	190	105	55.9	30	6	156	245	3.90	
GIHO-K 60 DO	60	M42×2.0	68	57	44	38	160	68	150	230	134	66.8	38	6	245	380	7.15	
GIHO-K 80 DO	80	M48×2.0	90	64	55	47	205	82	185	287.5	156	89.4	47	6	400	585	15.0	
GIHO-K 100 DO	100	M64×3.0	110	86	70	55	240	116	240	360	190	109.5	55	7	610	865	27.3	

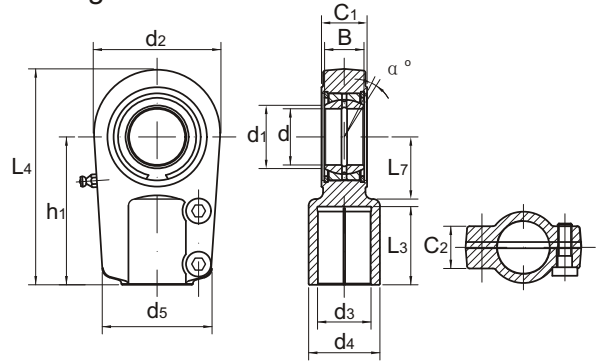
- For left-hand thread, please add suffix "L", e.g. GIHO-KL 50 Do.
- Relubrication not possible for the sizes marked "**".
- 若是左旋螺纹，轴承型号需加“L”，例如：GIHO-KL 50 DO。
- 带“*”的型号均不能润滑。

用于液压部件的杆端关节轴承

Maintenance required, with female thread and locking nuts

需润滑，内螺纹，带螺栓。

- Rod end housing with right or left-hand female thread.
- It is made up of a radial spherical plain bearing GE..ES or GE..ES 2RS and rod end housing.
- Rod end housing with a lubricating hole or grease nipple.
- 杆端座体带有左旋或右旋的内螺纹。
- 由向心关节轴承GE..ES或GE..ES 2RS和杆端座体组成。
- 带锁紧口和紧定螺栓。
- 杆端座体带有润滑油孔和油杯。



Part No. 型号	Dimensions 尺寸mm															Load ratings 负荷KN		Weight 重量Kg
	d	B	C ₁	d ₂	d ₁	h ₁	d ₅	C ₂	L ₄	L ₇ min	d ₄	L ₃ min	d ₃ 6H	α ≈	dyn. 动 C _d	stat. 静 C _s		
GK 25 SK	25	23	20	56	29.3	65	48	21	95	25	28	30	M18×2.0	8	48	76	0.7	
GK 30 SK	30	28	22	64	34.2	75	56	26	109	30	34	35	M24×2.0	7	62	112	1.0	
GK 35 SK	35	30	25	78	39.7	90	70	28	132	40	44	45	M30×2.0	7	80	180	1.3	
GK 40 SK	40	35	28	94	45.0	105	78	33	155	45	55	55	M39×3.0	7	100	295	2.4	
GK 50 SK	50	40	35	116	56.0	135	88	36	198	55	70	75	M50×3.0	7	156	445	4.1	
GK 60 SK	60	50	44	130	66.8	170	118	46	240	65	87	95	M64×3.0	7	245	530	6.5	
GK 70 SK	70	55	49	154	77.8	195	138	51	278	75	105	110	M80×3.0	6	315	720	9.5	
GK 80 SK	80	60	55	176	89.4	210	168	55	305	80	125	120	M90×3.0	6	400	890	16	
GK 90 SK	90	65	60	206	98.1	250	180	60	363	90	150	140	M100×3.0	5	490	1300	28	
GK 100 SK	100	70	70	230	109.5	275	188	65	400	105	170	150	M110×4.0	7	610	1490	34	
GK 110 SK	110	80	70	264	121.2	300	210	74	442	115	180	160	M120×4.0	6	650	2050	44	
GK 120 SK	120	90	85	340	135.5	360	240	84	540	140	210	190	M150×4.0	6	950	2970	75	
GK 140 SK	140	110	90	380	155.8	420	256	105	620	185	230	210	M160×4.0	7	1080	3350	160	
GK 160 SK	160	110	105	480	170.2	460	290	105	710	200	260	240	M180×4.0	8	1370	4300	185	

-For left-hand thread, please add suffix "L", e.g. GKL 50 SK.

-若是左旋螺纹，轴承型号需加“L”，例如：GKL 50 SK。

Rod ends for hydraulic components GK..DO

用于液压部件的杆端关节轴承

Maintenance required, for welding
需润滑，可焊接。

-Rod end housing with weldable base and dowel pin.

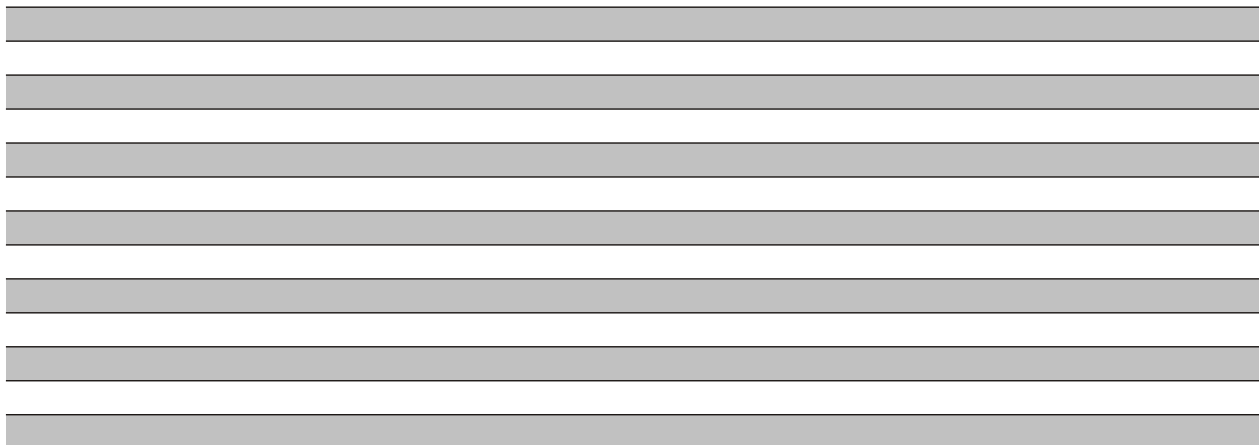
-It is made up of a radial spherical plain bearing GE..ES or GE..ES 2RS and rod end housing.

-Rod end housing with a lubricating hole or grease nipple.

-杆端座体带有可焊接的基座和定位销。

-由向心关节轴承GE..ES或GE..ES 2RS和杆端座体组成。

-杆端座体带有润滑油孔和油杯。



- $d \leq \phi 20$ ，均不装油杯。

-也可制造-2RS型结构，例如

ERROR: rangecheck
OFFENDING COMMAND: show

STACK:

Bearing Selection

关节轴承类型的选择

Working Temperature

工作温度

To select the bearing type must consideration the sliding contact surface effected by the working temperature, at general condition the spherical plain bearings can be worked from -30°C ~ $+120^{\circ}\text{C}$ temperature range, the load capacity will be reduced once the temperature exceed this range. Meanwhile, the sealed bearing work temperature is restricted by seal material.

选择轴承类型时，必须考虑工作温度对轴承材料的影响特别是对滑动层材料的影响。对于一般的关节轴承均可在 -30°C ~ $+120^{\circ}\text{C}$ 范围内使用，超过此温度时其负荷能力会降低。对于带密封圈的关节轴承其容许温度还受到密封圈材料的限制。

Spherical Plain Bearing tolerance

关节轴承的尺寸公差

This tolerance apply to non-treated rings which are not split or fractured, The tolerances of surface treated rings may differ slightly from the standardized values. The outer rings which are fractured or split may be slightly out-of-round, However once the bearings are mounted, the original roundness of the outer rings will be restored, this type bearings are not recommend for measurement before the assembly.

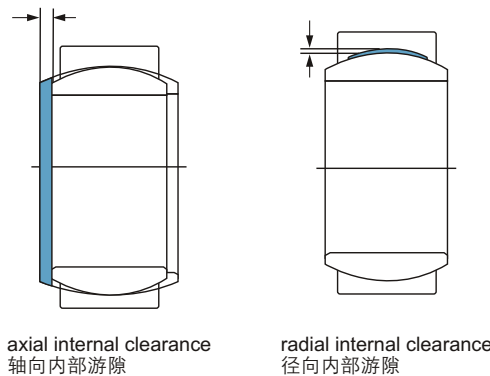
此公差适用于非对开式或非开裂式的未经处理的套圈，表面经过处理的套圈的公差可能与标准值略有差异。开裂式或对开式外圈自由状态下可能稍有失圆，但是一旦轴承压入座孔后，外圈本来的圆度即可恢复，此类外圈在安装前不对尺寸进行测量。

Spherical Plain Bearing Internal clearance

关节轴承的径向游隙

By internal clearance is meant the distance through which one bearing ring can be moved from one limiting position to the other in relation to the other ring in the radial direction (radial internal clearance) or the axial direction (axial internal clearance) under a defined measuring load. The clearance in an unmounted bearing is generally larger than that in a mounted bearing (operational clearance) because interference fits and different thermal expansion of the bearing and its associated components at the operating temperature will expand or compress the bearing rings. The Normal internal clearance is such that under normal operating conditions and using the generally recommended fits a suitable internal clearance will remain in the bearing.

内部游隙是指在规定的负荷下测量，一个轴承套圈相对于另一套圈从一个极限位置移动到另一极限位置的径向距离（径向内部游隙）或轴向距离（轴向内部游隙），未安装轴承的游隙一般大于已安装轴承的游隙(工作游隙)。标准内部游隙是指在正常工作条件下，轴承采用推荐的配合方式所得到的内部工作游隙。



关节轴承的安装

Mounting and dismounting

关节轴承的安装

The correct installation is important if spherical plain bearings and rod ends are to perform correctly and not fail prematurely. The sliding contact surfaces of the bearings are matched to provide favorable friction and wear characteristics. Any alteration of the sliding surfaces would shorten the service life so that the bearings must not be washed or come into contact with solvents, cleaners, oils or similar media. The components associated with the bearing should be cleaned and any burrs removed, meanwhile check the accuracy of dimensions is necessary before the installation.

正确的安装方法对于轴承的正常使用非常重要，由于轴承的滑动接触面是相配的，因此任何改变都会缩短轴承的使用寿命，轴承无需清洗也不能接触溶剂、清洁剂、油或类似的介质。安装前应对座孔和轴进行清洁确保无毛刺，还应检查相应的精度是否在要求的范围内。

The Mating tolerance

关节轴承的配合公差

In any case, the mating tolerance shall be chosen right so that rings with non-uniform deformation occurred and to ensure the normal sliding between the inner and outer rings. In principle, Spherical plain bearing inner ring and shaft, the outer ring and the housing should be selected meet with interference fit. Meanwhile, the Spherical Plain Bearings match tolerance should be consideration by bearing load, load method and the bearing operation clearance needed.

在任何情况下，向心关节轴承所选用的配合均不得使套圈发生不均匀的变形，并保证内外圈之间的正常滑动。原则上向心关节轴承的内圈与轴、外圈与座孔的配合均应选用紧配合。同时关节轴承的配合公差应根据轴承承载方式、载荷大小以及轴承的游隙等级等条件来选择，以下为标准的公差配合表。

The recommend mating tolerance

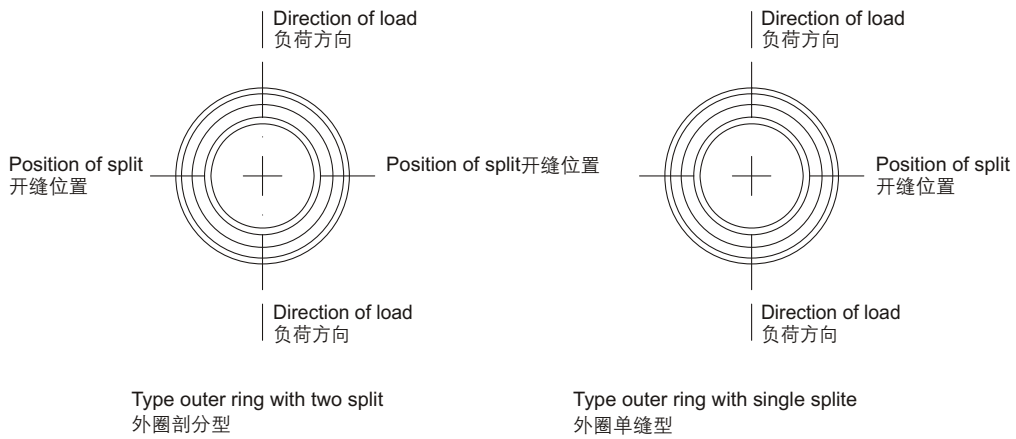
推荐的配合公差表

Shaft 轴	Lubrication required 润滑型	Maintenance free 自润滑型	Housing 座孔	Lubrication required 润滑型	Maintenance free 自润滑型
All kinds of load, interference fit 各种载荷的紧配合	m6, n6	k6	Low load clearance fit 低负载，松动配合	H7, H6	H7
All kinds of load, Clearance fit 各种载荷的松配合	f8, h6, h7	g6, h6	Heavy load, interference fit 重负载，紧配合	J7, M7	K7
			Soft alloy 软金属	N7	M7

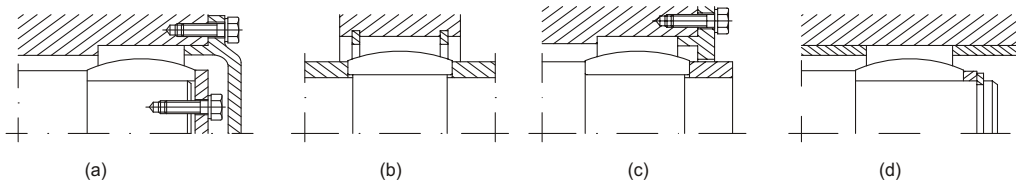
Assembly and lubrication for spherical plain bearings

关节轴承的安装与润滑

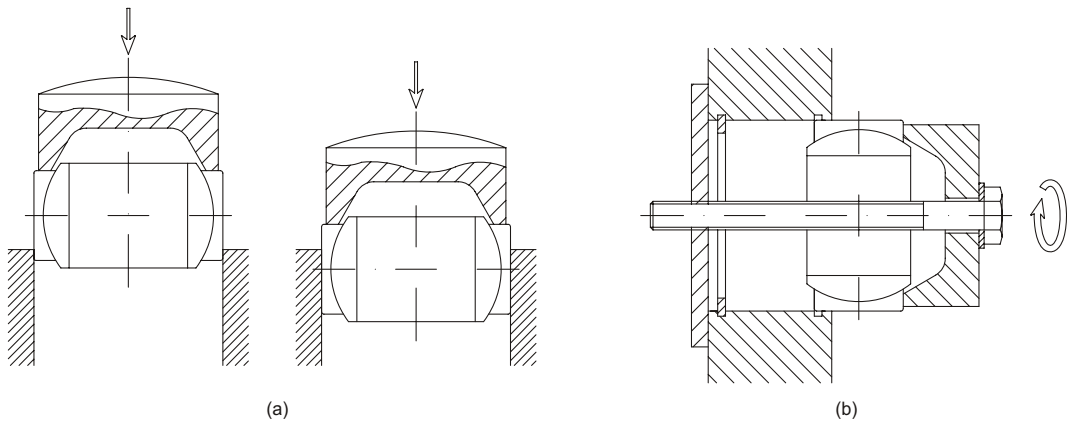
Direction of load and position of split
负荷方向与开缝位置



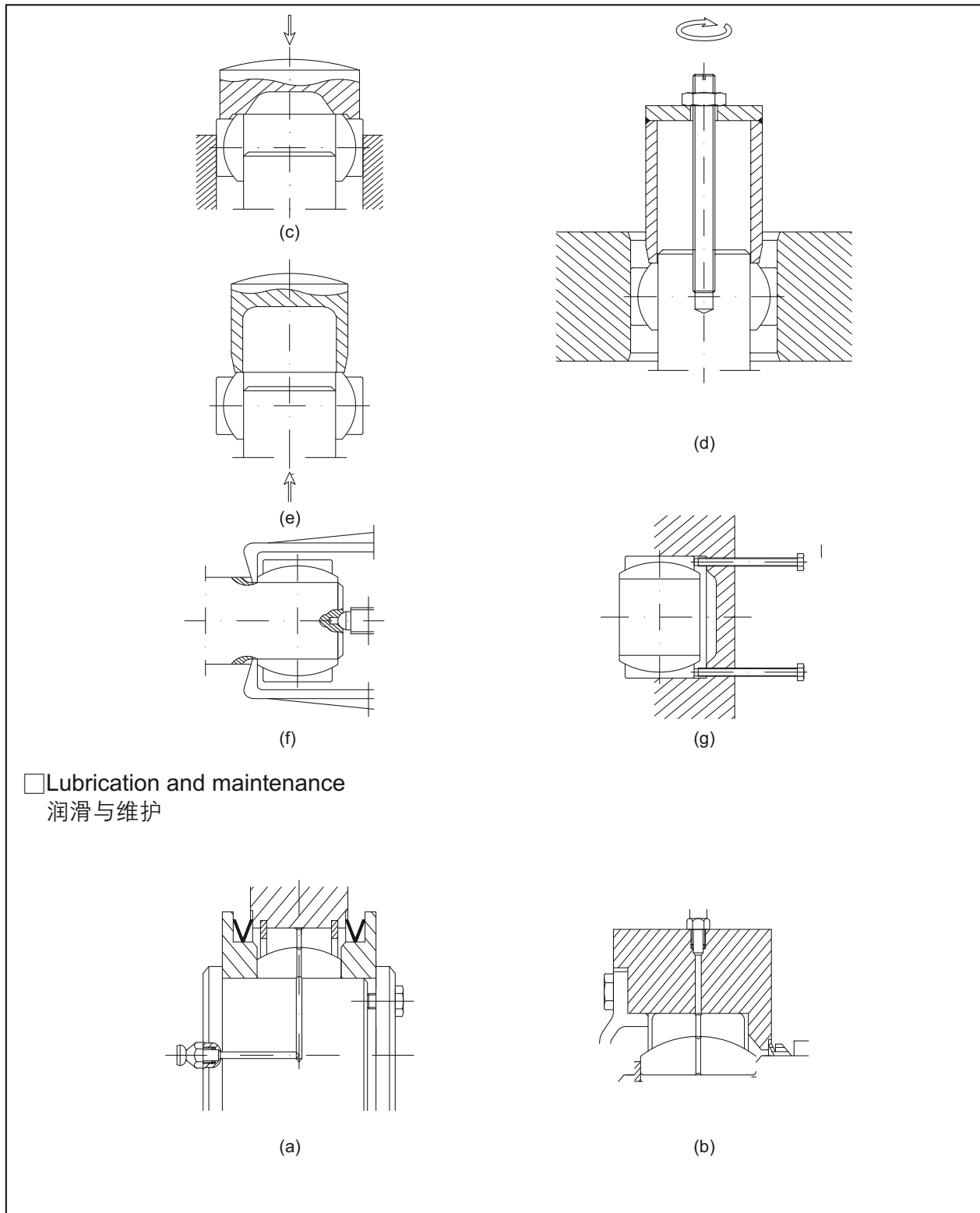
Simple example of assembly
安装简例



Mounting and dismounting
装配方法



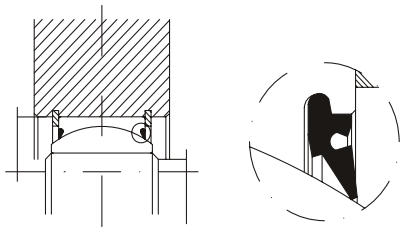
关节轴承的安装与润滑



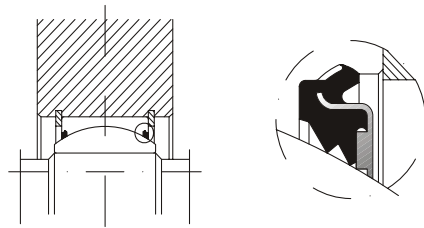
Assembly and lubrication for spherical plain bearings

关节轴承的安装与润滑

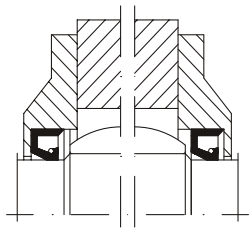
□ Sealing Solution
密封方式



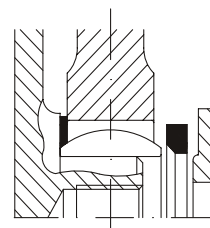
(a)



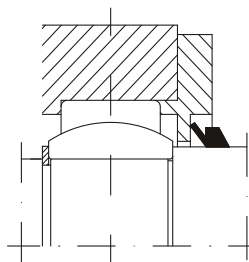
(b)



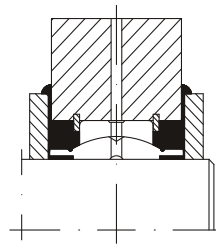
(c)



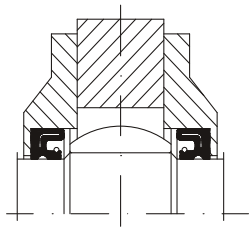
(d)



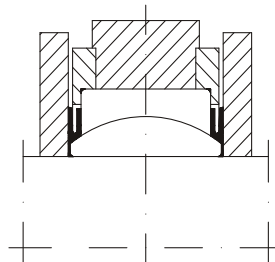
(e)



(f)



(g)



(h)

尺寸公差

Inner ring of spherical plain bearing
向心关节轴承内圈公差

D内径 mm	over超过 incl到	- 6	6 10	10 18	18 30	30 50	50 80	80 120	120 180	180 250	250 315
GE..E		0 -0.008	0 -0.008	0 -0.008							
GE..ES				0 -0.008	0 -0.010	0 -0.012	0 -0.015	0 -0.020	0 -0.025	0 -0.030	0 -0.035
GE..ES 2RS				0 -0.008	0 -0.010	0 -0.012	0 -0.015	0 -0.020	0 -0.025	0 -0.030	0 -0.035
GEG..E		0 -0.008	0 -0.008								
GEG..ES				0 -0.008	0 -0.010	0 -0.012	0 -0.015	0 -0.020	0 -0.025	0 -0.030	
GEG..ES 2RS				0 -0.008	0 -0.010	0 -0.012	0 -0.015	0 -0.020	0 -0.025	0 -0.030	
GE..LO				+0.018 0	+0.021 0	+0.025 0	+0.030 0	+0.035 0	+0.040 0		
WCN..		0 -0.008	0 -0.008	0 -0.008	0 -0.010	0 -0.012	0 -0.015	0 -0.020	0 -0.025	0 -0.030	
GE..HO 2RS					0 -0.010	0 -0.012	0 -0.015				
GEZ..ES GEGZ..ES				0 -0.008	0 -0.010	0 -0.012	0 -0.015	0 -0.020	0 -0.025		
GEZ..ES 2RS GEGZ..ES 2RS				0 -0.008	0 -0.010	0 -0.012	0 -0.015	0 -0.020	0 -0.025		
GE..SX					0 -0.012	0 -0.012	0 -0.015	0 -0.020	0 -0.025	0 -0.030	
GE..AX		0 -0.008	0 -0.008	0 -0.008	0 -0.010	0 -0.012	0 -0.015	0 -0.020	0 -0.025	0 -0.030	
GE..UK		0 -0.008	0 -0.008	0 -0.008	0 -0.010	0 -0.012					
GE..UK 2RS				0 -0.008	0 -0.010	0 -0.012	0 -0.015	0 -0.020	0 -0.025	0 -0.030	
GE..FW		0 -0.008	0 -0.008	0 -0.008	0 -0.010						
GE..FW 2RS				0 -0.008	0 -0.010	0 -0.012	0 -0.015	0 -0.020	0 -0.025	0 -0.030	
GE..SW					0 -0.012	0 -0.012	0 -0.015	0 -0.020	0 -0.025	0 -0.030	
GE..AW		0 -0.008	0 -0.008	0 -0.008	0 -0.010	0 -0.012	0 -0.015	0 -0.020	0 -0.025	0 -0.030	0 -0.035
GEBK..S		+0.012 0	+0.015 0	+0.018 0	+0.021 0	+0.025 0	+0.030 0	+0.035 0			
GEBJ..S		+0.012 0	+0.015 0	+0.018 0	+0.021 0	+0.025 0	+0.030 0	+0.035 0			
G..PB		+0.012 0	+0.015 0	+0.018 0	+0.021 0	+0.025 0	+0.030 0	+0.035 0			
S..PB		+0.012 0	+0.015 0	+0.018 0	+0.021 0	+0.025 0	+0.030 0	+0.035 0			
G..PW		+0.012 0	+0.015 0	+0.018 0	+0.021 0	+0.025 0	+0.030 0	+0.035 0			
S..PW		+0.012 0	+0.015 0	+0.018 0	+0.021 0	+0.025 0	+0.030 0	+0.035 0			
COM../HCOM..		+0.038 -0.013	+0.038 -0.013	+0.038 -0.013	+0.038 -0.013	+0.038 -0.013	+0.038 -0.013				
COM..T/HCOM..T		+0.038 -0.013	+0.038 -0.013	+0.038 -0.013	+0.038 -0.013	+0.038 -0.013	+0.038 -0.013				

Inner ring width tolerance
内圈高度公差

d内径 mm	over超过 incl到	- 50	50 80	80 120	120 180	180 250	250 315	315 400
ΔBs		0 -0.12	0 -0.15	0 -0.20	0 -0.25	0 -0.30	0 -0.35	0 -0.40

Tolerances

尺寸公差

Outer ring of spherical plain bearing
向心关节轴承外圈公差

D内径 mm	over超过 incl到	10 18	18 30	30 50	50 60	60 80	80 120	120 150	150 180	180 250	250 315	315 400
GE..E		0 -0.008	0 -0.009									
GE..ES			0 -0.009	0 -0.011	0 -0.013	0 -0.013	0 -0.015	0 -0.018	0 -0.025	0 -0.030	0 -0.035	0 -0.040
GE..ES 2RS				0 -0.011	0 -0.013	0 -0.013	0 -0.015	0 -0.018	0 -0.025	0 -0.030	0 -0.035	0 -0.040
GEG..E		0 -0.008	0 -0.009	0 -0.011								
GEG..ES				0 -0.011	0 -0.013	0 -0.013	0 -0.015	0 -0.018	0 -0.025	0 -0.030	0 -0.035	0 -0.040
GEG..ES 2RS				0 -0.011	0 -0.013	0 -0.013	0 -0.015	0 -0.018	0 -0.025	0 -0.030	0 -0.035	0 -0.040
GE..LO				0 -0.011	0 -0.013	0 -0.013	0 -0.015	0 -0.018	0 -0.025	0 -0.030	0 -0.035	0 -0.040
WCN..		0 -0.008	0 -0.009	0 -0.011	0 -0.013	0 -0.013	0 -0.015	0 -0.018	0 -0.025	0 -0.030		
GE..HO 2RS				0 -0.011	0 -0.013	0 -0.013	0 -0.015	0 -0.018				
GEZ..ES GEGZ..ES			0 -0.009	0 -0.011	0 -0.013	0 -0.013	0 -0.015	0 -0.018	0 -0.025	0 -0.030		
GEZ..ES 2RS GEGZ..ES 2RS				0 -0.011	0 -0.013	0 -0.013	0 -0.015	0 -0.018				
GE..SX				0 -0.014	0 -0.016	0 -0.016	0 -0.018	0 -0.020	0 -0.025	0 -0.030	0 -0.035	0 -0.040
GE..AX			0 -0.009	0 -0.011	0 -0.013	0 -0.013	0 -0.015	0 -0.018	0 -0.025	0 -0.030	0 -0.035	0 -0.040
GE..UK		0 -0.008	0 -0.009	0 -0.011								
GE..UK 2RS			0 -0.009	0 -0.011	0 -0.013	0 -0.013	0 -0.015	0 -0.018	0 -0.025	0 -0.030	0 -0.035	0 -0.040
GE..FW		0 -0.008	0 -0.009	0 -0.011	0 -0.013							
GE..FW 2RS			0 -0.009	0 -0.011	0 -0.013	0 -0.013	0 -0.015	0 -0.018	0 -0.025	0 -0.030	0 -0.035	0 -0.040
GE..SW				0 -0.014	0 -0.016	0 -0.016	0 -0.018	0 -0.020	0 -0.025	0 -0.030	0 -0.035	0 -0.040
GE..AW			0 -0.009	0 -0.011	0 -0.013	0 -0.013	0 -0.015	0 -0.018	0 -0.025	0 -0.030	0 -0.035	0 -0.040
GEBK..S		0 -0.011	0 -0.013	0 -0.016	0 -0.019							
GEBJ..S		0 -0.011	0 -0.013	0 -0.016	0 -0.019							
G..PB		0 -0.011	0 -0.013	0 -0.016	0 -0.019							
S..PB		0 -0.011	0 -0.013	0 -0.016	0 -0.019							
G..PW		0 -0.011	0 -0.013	0 -0.016	0 -0.019							
S..PW		0 -0.011	0 -0.013	0 -0.016	0 -0.019							
COM../HCOM..		0 -0.018	0 -0.018	0 -0.018	0 -0.018	0 -0.018	0 -0.018	0 -0.018	0 -0.018			
COM..T/HCOM..T		0 -0.018	0 -0.018	0 -0.018	0 -0.018	0 -0.018	0 -0.018	0 -0.018	0 -0.018			

Outer ring width tolerance
外圈高度公差

d内径 mm	over超过 incl到	- 50	50 80	80 120	120 180	180 250	250 315	315 400
△Cs		0 -0.24	0 -0.30	0 -0.40	0 -0.50	0 -0.60	0 -0.70	0 -0.80

Tolerances

尺寸公差

Inner ring of rod ends
杆端关节轴承内圈

D内径 mm	over超过 incl到	- 6	6 10	10 18	18 30	30 50	50 80	80 120
SI..E	SI..ES	0 -0.008	0 -0.008	0 -0.008	0 -0.010	0 -0.012	0 -0.015	0 -0.020
SI..ES 2RS								
SA..E	SA..ES							
SA..ES 2RS								
GIR..UK	GAR..UK							
GIR..UK 2RS								
GAR..UK 2RS								
GK..DO	GIHR..DO							
GF..DO	GIHR-K..DO							
GK..SK	GK..NF							
GIHR-K..LO	GF..LO			+0.018 0	+0.021 0	+0.025 0	+0.030 0	+0.035 0
SI..T/K	SA..T/K	+0.012 0	+0.015 0	+0.018 0	+0.021 0	+0.025 0	+0.030 0	
SI..PK	SA..PK							
SSA..T/K								
SSI..T/K								
PHS..	POS..							
SIZP..S	SAZP..S							
SI..ZK	SA..ZK							
CF..	CF..T CF..Y	+0.038 -0.013	+0.038 -0.013	+0.038 -0.030	+0.038 -0.030	+0.038 -0.030		
CM..	CM..T CM..Y							
JF..	JM..							
KF..	KM..					0 -0.0127	0 -0.0127	

Centre height deviation of rod ends
杆端关节轴承中心高偏差

d内径 mm	over超过 incl到	- 6	6 20	20 30	30 45	45 60	60 80
Δhs		+0.80 -1.20	+0.80 -1.20	+1.00 -1.70	+1.40 -2.10	+1.80 -2.70	+2.25 -3.40

Radial internal clearance of spherical plain bearings

关节轴承的径向游隙

Spherical plain bearing

向心关节轴承

Part No. 型号	Over-include d孔径(mm) 超过 到	Group C2 C2组 min~max(μ m)	Group normal 基本组 min~max(μ m)	Group C3 C3组 min~max(μ m)
GE..E GE..ES GE..ES 2RS GE.HO 2RS GE..LO	~12	8~32	32~68	68~104
	12~20	10~40	40~82	82~124
	20~35	12~50	50~100	100~150
	35~60	15~60	60~120	120~180
	60~90	18~72	72~142	142~212
	90~140	18~85	85~165	165~245
	140~240	18~100	100~192	192~284
	240~300	18~110	110~214	214~318
GEG..E GEG..ES GEG..ES 2RS	~10	8~32	32~68	68~104
	10~17	10~40	40~82	82~124
	17~30	12~50	50~100	100~150
	30~50	15~60	60~120	120~180
	50~80	18~72	72~142	142~212
	80~120	18~85	85~165	165~245
	120~220	18~100	100~192	192~284
	220~280	18~110	110~214	214~318
GEGE..ES GEZ..ES GEZ..ES 2RS GEGZ..ES 2RS	~15.875		50~150	
	15.875~50.8		80~180	
	50.8~76.2		100~200	
	76.2~152.4		130~230	
G..PB S..PB COM.. GEBK..S/GEBJ..S	~8		20~60	
	8~14		40~90	
	14~20		50~110	
	20~35		60~120	
GE..UK G..PW SGE..UK S..PW GE..FW CON..T SGE..FW HCOM..T	~12		4~28	
	12~20		5~35	
	20~30		6~44	
GE..FW 2RS	~30		0~50	
	30~50		0~60	
	50~80		0~72	
	80~120		0~85	
	120~220		0~100	
	220~280		0~110	
GE..UK 2RS	~20		0~40	
	20~35		0~50	
	35~60		0~60	
	60~90		0~72	
	90~140		0~85	
	140~240		0~100	
240~300		0~110		

关节轴承的径向游隙

- Rod ends
杆端关节轴承

Part No. 型号	孔径 超过 到	Group normal 基本组
	d Over-incl(mm)	min~max(μm)
SI..E SI..ES SI..ES 2RS SA..E SA..ES SA..ES 2RS GIHR..DO GIHR-K..DO GIHN-K..DO GK..DO GF..DO	~12	8-68
	12-20	8-82
	20-35	8-100
	35-60	8-120
	60-80	8-142
	80-120	8-165
	CF.. CM.. CF..Y CM..Y JF.. JM..	~8
8-14		15-60
14-20		40-80
20-35		50-90
35-50		60-110
SIZP..S/SAZP..S PHS.. POS	~30	8-55
SI..T/K SA..T/K SSI..T/K SSA..T/K CF..T CM..T SI..PK SA..PK	~12	0-32
	12-20	0-40
	20-30	0-50
	GIR..UK GIR..UK 2RS GAR..UK GAR..UK 2RS	~12
12-20		0-40
20-35		0-50
35-60		0-60
60-80		0-72
SQP..S SQ..RS		20-60
SQZ..RS		0-30